



Fresh Air Systems - 110 CFM

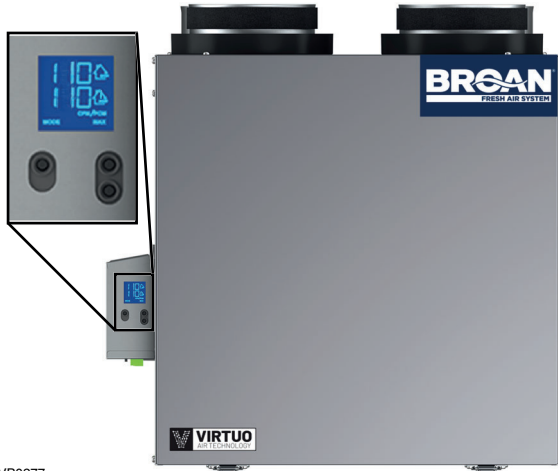
HRV

Top ports: B110H65RT

Side ports: B110H65RS

35 to 112 CFM @ 0.2 in. w.g.

35 to 100 CFM @ 0.4 in. w.g.



VB0277



Parts/Motor

HRV Core

Visit www.broan-nutone.com for complete warranty text.

Introducing the industry's most advanced residential fresh air system, created to offer a universal platform specifically designed and improved to make contractors life easier and more profitable while delivering constant superior air quality.

- Thanks to the Virtuo Air Technology™, the airflow calibration and auto-balancing are achieved quickly and maintained throughout the life of the product
- Select the desired CFM (from 35 to 110 CFM) using the very first integrated LCD screen. The airflow is then set up automatically
- Integrated electronic airflow measurement device with real time LCD
- Integrated diagnostic tool
- Equipped with PMSM ECM motors for a very low power consumption
- Suspended installation (chains included)
- OR
- Wall-mount installation (universal brackets included)
 - installation with 2 brackets
 - installation with 4 brackets

Unit Description

- SRE of 68% at 32°F and 60% at -13°F (64 CFM)
- Ports size: 5"
- Recirculation mode
- Recirculation defrost
- Painted door, corrosion resistant galvanized body
- One-piece molded insulation shell, no air leakage (expanded polystyrene; UL 94 HF-1 certified)
- Virtuo constant airflow and auto-balancing device (patent pending)
- Motorized dampers (no additional backdraft dampers required)
- Integrated "snap-in" drain system installed in seconds with no additional parts (drain hose included)
- 6' power cord
- Unit electrical characteristics: 120 volts, 60 Hz, 2.5 A, 90 W
- Sound: 66.8 dBA at 92 CFM @ 0.4 in. w.g.
60.1 dBA at 64 CFM @ 0.2 in. w.g.

Controls



There are 4 optional main controls and 2 optional auxiliary controls available. Refer to Wall Control specification sheet for more information.

Core

- Polypropylene crossflow core, impact resistant
- Dimensions: 12" x 12" x 9" (30.5 cm x 30.5 cm x 23 cm)

Filters

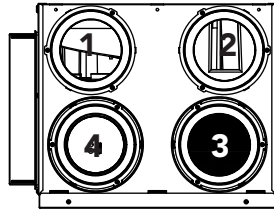
- MERV 8 grade washable standard filter (included)
- Optional MERV13 grade filter part no. V24285

Options

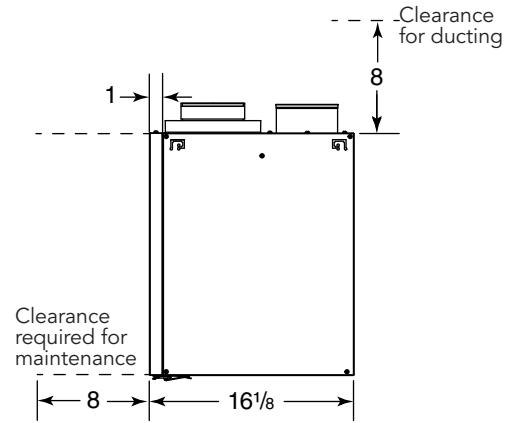
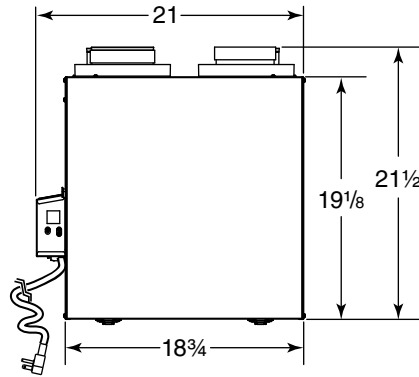
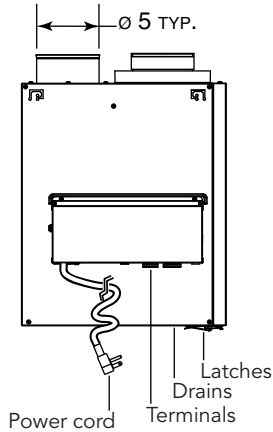
- Complete line of registers and diffusers
- Compatible with the Tandem transition (part no. VTYIK1) (for units producing up to 110 CFM only)

5" Ports Dimensions (Top Ports)

- 1 - Exhaust air from building
- 2 - Fresh air to building
- 3 - Exhaust air to outside
- 4 - Fresh air from outside

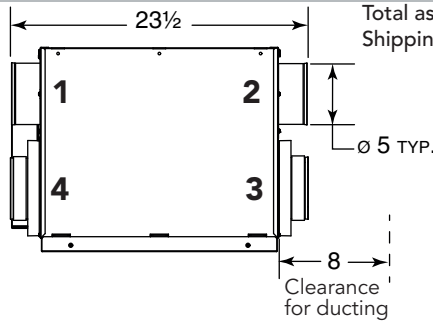


Total assembled weight: approx 35 lbs (15.9 kg) (core included)
Shipping weight: approx 42 lbs (19 kg)

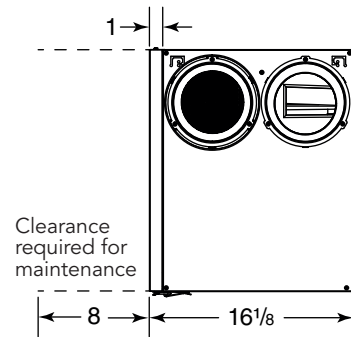
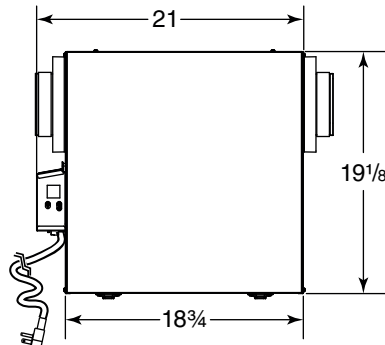
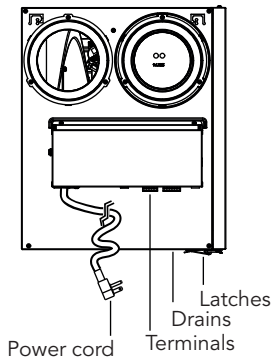


5" Ports Dimensions (Side Ports)

- 1 - Exhaust air from building
- 2 - Fresh air to building
- 3 - Exhaust air to outside
- 4 - Fresh air from outside



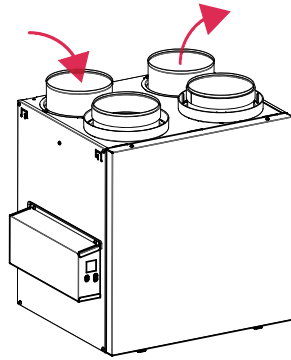
Total assembled weight: approx 35 lbs (15.9 kg) (core included)
Shipping weight: approx 42 lbs (19 kg)



Defrost System

Homeshield™ Defrosting System

No negative pressure is created by air exhausted to the outdoors since the air is recirculated into the house, helping to prevent any backdraft.



DISCRETION (Factory setting)	OUTDOOR TEMPERATURE*					
	-5°C TO -15°C 23°F TO 5°F		-15°C TO -27°C 5°F TO -17°F		-27°C AND LESS -17°F AND LESS	
CFM	AIR EXCHANGE IN MINUTES	DEFROST IN MINUTES	AIR EXCHANGE IN MINUTES	DEFROST IN MINUTES	AIR EXCHANGE IN MINUTES	DEFROST IN MINUTES
0 to 59	32	7	25	7	20	10
60 to 90	50	7	35	7	25	10
91 and more	22	7	18	7	16	10

*Outdoor temperature is read by a thermistor located inside the unit, next to fresh air from outdoor port.

Plus	OUTDOOR TEMPERATURE*					
	-5°C TO -15°C 23°F TO 5°F		-15°C TO -27°C 5°F TO -17°F		-27°C AND LESS -17°F AND LESS	
CFM	AIR EXCHANGE IN MINUTES	DEFROST IN MINUTES	AIR EXCHANGE IN MINUTES	DEFROST IN MINUTES	AIR EXCHANGE IN MINUTES	DEFROST IN MINUTES
0 to 59	28	7	20	7	16	10
60 to 90	45	7	28	7	20	10
91 and more	18	7	14	7	12	10

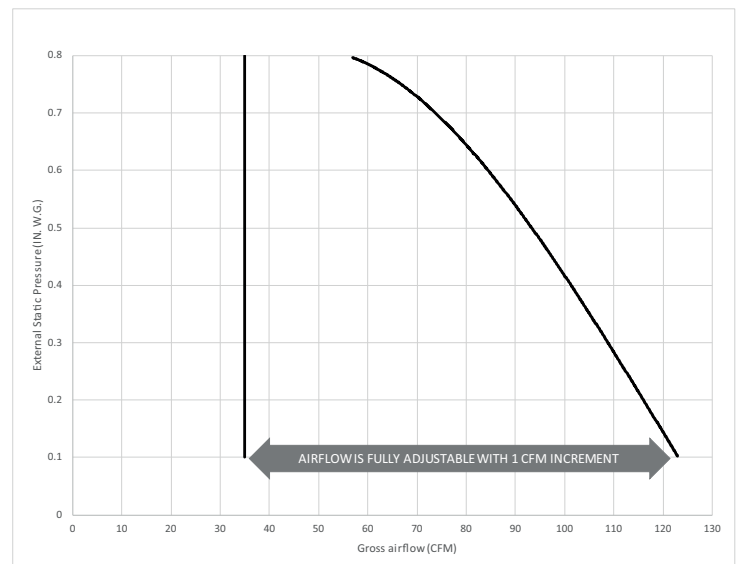
*Outdoor temperature is read by a thermistor located inside the unit, next to fresh air from outdoor port.

Fan Curves with Virtuo

Thanks to Virtuo Air Technology™, no need to balance the unit manually. Both PMSM motors are controlled by an artificial intelligence performing 120 readings per minute then processing this information to maintain the requested airflow.

For typical installation, Virtuo will ensure a balanced ventilation at every selected speed regardless of the weather conditions, the type of connection, the variable speed furnace/AHU, the stack effect, the filter clogging and so on. This results in peace of mind for installers and users knowing that the unit will always remain balanced and that it will maintain its maximum heat/energy recovery efficiency.

STATIC PRESSURE (PA)	STATIC PRESSURE (IN. W.G.)	NET SUPPLY AIRFLOW (L/S)	NET SUPPLY AIRFLOW (CFM)	GROSS AIRFLOW SUPPLY (L/S)	GROSS AIRFLOW SUPPLY (CFM)	GROSS AIRFLOW EXHAUST (L/S)	GROSS AIRFLOW EXHAUST (CFM)
25	0.1	56	119	58	123	58	123
50	0.2	53	112	55	117	55	117
75	0.3	49	104	50	106	50	106
100	0.4	47	100	48	102	48	102
125	0.5	44	93	45	95	45	95
150	0.6	39	83	40	85	40	85
175	0.7	33	70	34	72	34	72
200	0.8	26	55	27	57	27	57



Energy Performance

SUPPLY TEMPERATURE		NET AIRFLOW		POWER CONSUMED WATTS	SENSIBLE RECOVERY EFFICIENCY	ADJUSTED SENSIBLE RECOVERY EFFICIENCY	APPARENT SENSIBLE EFFECTIVENESS*
°C	°F	L/S	CFM				
HEATING							
0	32	30	64	33	68	71	72
0	32	43	90	47	63	66	68
-25	-13	30	64	33	60	62	72

*Data not certified by HVI.

Requirements and Standards

- UL 1812 compliant (safety)
- Could be installed in compliance with CSA F326
- Performance tested as per CSA C439 Standard
- Compliant with Prop 65

Project:	Remarks
Location:	
Part no.:	
Qty.:	
Submitted by: _____ Date: _____	

