



Architectural Aluminum Trim

Make a statement with style.

Product Catalog 2021

TAMLYN[®]
FAMILY. VALUE. SERVICE.





Innovation from A Trusted Source

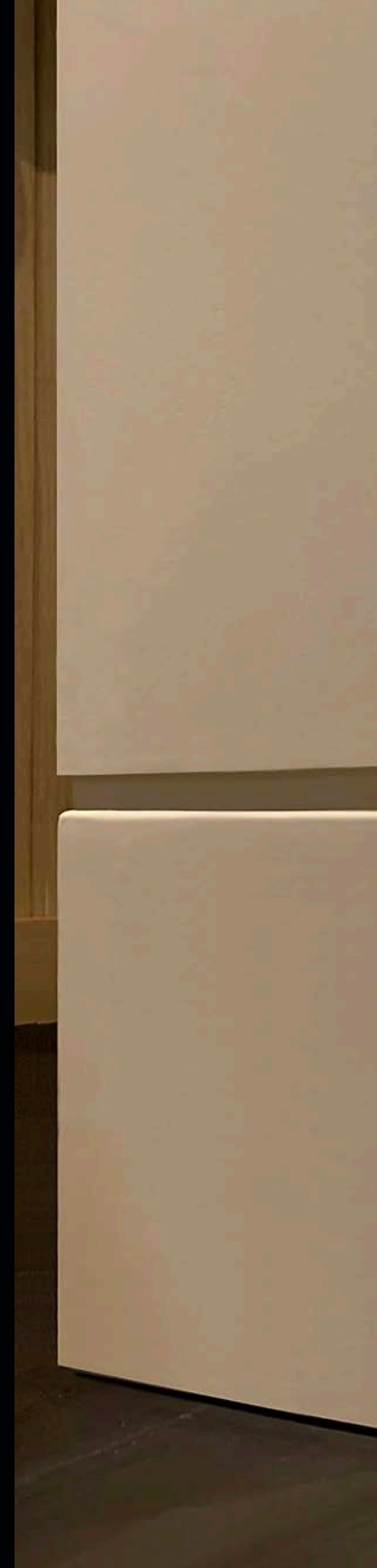
TAMLYN® was established in May 1971 by Ron Tamlyn, Sr. with \$800 borrowed money and help from his wife, Jean, in a small shack in the back yard of their modest home in Bellaire, Texas. We remain family-owned and operated to this day. Our history is one of quality, innovation, and proven performance. We are proud to represent the manufacturing end of the building products industry.

TAMLYN can provide ALUMINUM TRIM for both interior & exterior. As a division of TAMLYN®, XtremeInterior™ Aluminum Solutions is excited to provide the newest interior product line of aluminum trim available in the architectural supply industry.

TAMLYN's line of exterior aluminum trim - XtremeTrim® - has thousands of design and color options, allowing architects and users to dramatically improve their building aesthetics and create modern architectural lines. For more information about our exterior architectural profiles, visit our website at www.tamlyn.com and look for XtremeTrim®.

TAMLYN has you covered, both inside and out, for all your aluminum trim needs.

FAMILY. VALUE. SERVICE.









Simple but Significant

A team of our architects led the process of selecting and designing each profile for the desired aesthetic effect and specific application. We offer quality products, competitive prices and fast service. While we recognize we are in a global economy, we remain committed to making products by choice in the USA where possible, giving customers a quality domestic option.



Moving Forward

As the push for more contemporary design reaches into every architectural sector, XtremeInterior™ by Tamlyn is here with experienced technical assistance and custom profile development.





ORDER HERE

ORDER HERE

ORDER HERE
By order on the screen

Touch to Order
Tocar para Ordenar

ORDER HERE
By order on the screen

Touch to Order
Tocar para Ordenar

JUICY
BURGER

16

36



TABLE OF CONTENTS

REVEALS

RV	Reveal	10	8
RVBD	Reveal Bead	11	
RVDF	Reveal Double Flange	12	
RPS	Reveal Projecting Square	13	
RVRD	Reveal Round	14	
RVRS	Reveal Square	15	
RVSA	Reveal Square Angled	16	
RVST	Reveal Square Tapered	17	
RVV	Reveal V	18	
RVVF	Reveal V Flange	19	

BASES

BCT	Base Cove Transition	22	20
BF	Base Flush	23	
BLF	Base Ledge Flange	24	
BPR	Base Projecting Round	25	
BPRR	Base Projecting Round Reveal	26	
BPS	Base Projecting Square	27	
BPSR	Base Projecting Square Reveal	28	
BRDF	Base Reveal Double Flange	29	
BRF	Base Reveal Flange	30	
BRL	Base Reveal Ledge	31	
BSL	Base Shadow Line	32	

CORNERS

CAC	Corner Arc	36	34
CALP	Corner Arrow Low Profile	37	
CBD	Corner Bead	38	
CBV	Corner Bevel	39	
CEL	Corner Elliptical	40	
CRA	Corner Radiused	41	
CRD	Corner Round	42	
CRR	Corner Rectangular Radiused	43	
CRS	Corner Rectangular Square	44	
CRT	Corner Rectangular Tapered	45	
CSQ	Corner Square	46	
CXF	Corner X	47	
ICAC	Inside Corner Arc	48	
ICBV	Inside Corner Bevel	49	
ICEL	Inside Corner Elliptical	50	
ICRA	Inside Corner Radiused	51	
ICRD	Inside Corner Round	52	
ICRF	Inside Corner Flange	53	
ICSQ	Inside Corner Square	54	

2-PIECE SYSTEMS

CHFS	Channel Flush Square	58	56
CHRS	Channel Rectangular Square	59	
CHSA	Channel Square Angled	60	
CHST	Channel Square Tapered	61	
IBRR	Insert Blade Rectangular Round	62	
IBRS	Insert Blade Rectangular Square	63	
IBRT	Insert Blade Rectangular Tapered	64	
IPRS	Insert Projecting Radiused Square	65	
IRSQ	Insert Rectangular Square	66	

MOLDINGS & MILLWORK

MCK	Corner Key	70	68
MCS	Corner Square Mold	71	
MCR	C Mold	72	
MEC	End Cap	73	
MECS	End Cap Step	74	
MFR	F Mold	75	
MGT	Glass Track	76	
MHC	H Mold Curve	77	
MHF	H Mold Flat	78	
MJR	J Mold	79	
MKE	Knife Edge	80	
MLR	L Mold	81	
MLU	Universal L Mold	82	
MPS	Projecting Square Mold	83	
MRV	Reveal Mold	84	
MTR	T Mold	85	
MWR	W Mold	86	
MZR	Z Mold	87	

ACOUSTICAL

PACT	Classic Perimeter Trim	90	88
PACT-KE5	Knife Edge Perimeter Trim	91	

Reveals

Accessorize your interiors with a variety of beautiful reveal profiles that can be installed vertically, horizontally and diagonally.

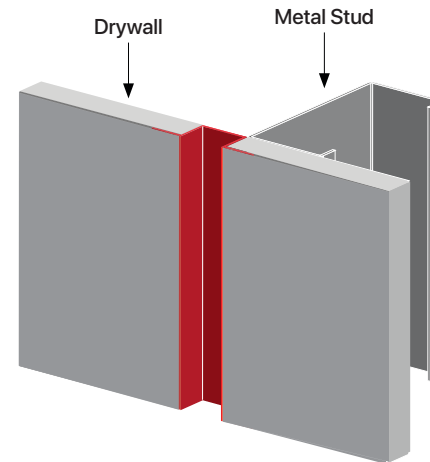
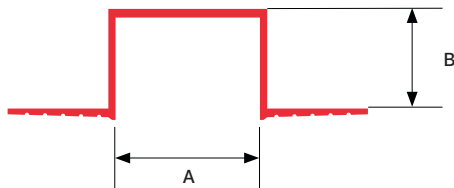
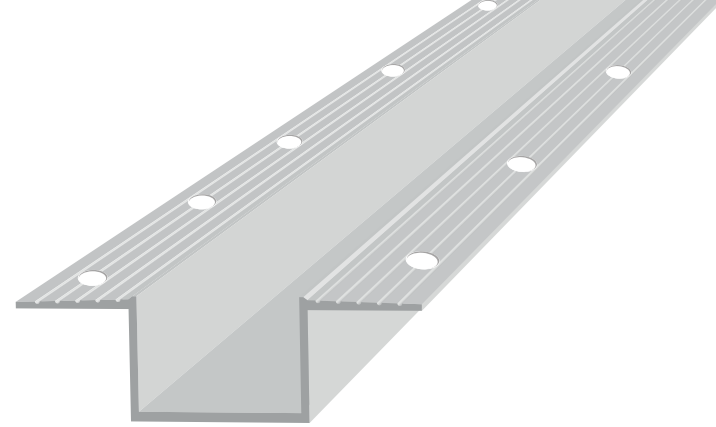


RV

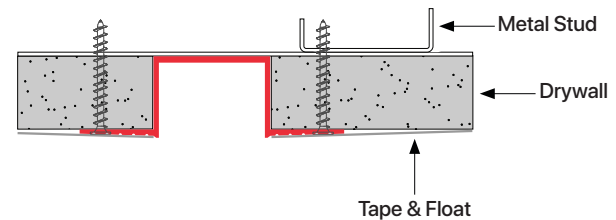
Reveal

Creates a minimalist shadow line with simple reveal space that allows installation vertically, horizontally or diagonally. Can be used in conjunction with 5/8" drywall, panel installation and wrapped surface finishes such as fabric or vinyl wall coverings. Ridged faces for tape & float and pre-punched holes for easy install (hole placement may vary).

Available in 10' length. 6063 T5 aluminum with standard clear anodized or primed finish. Anodized color and powder coating finishes available with custom color matching.



ITEM ID	A	B
RV-14	1/4"	1/4"
RV-12	1/2"	1/2"
RV-100	1"	1/2"
RV-200	2"	1/2"

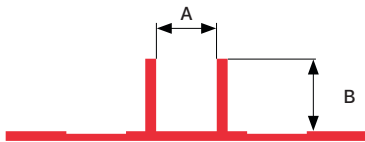


RVBD

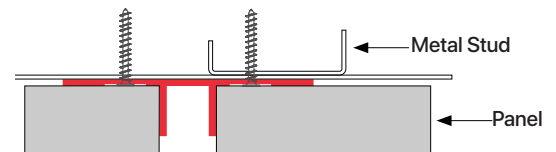
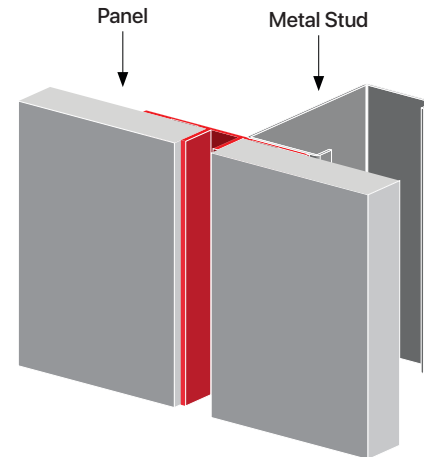
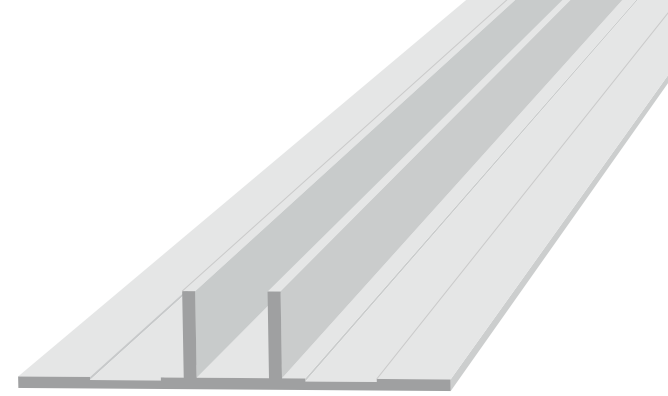
Reveal Bead

Serves as an aesthetic expansion joint between panels. A better, more appealing and secure solution to the "open wall" vertical joint look popular in many areas. Designs can be installed vertically, horizontally or diagonally. Used in conjunction with panel installation and wrapped surface finishes such as fabric or vinyl wall coverings.

Available in 10' length. 6063 T5 aluminum with standard clear anodized or primed finish. Anodized color and powder coating finishes available with custom color matching.



ITEM ID	A	B
RVBD-516-14	1/4"	5/16"
RVBD-516-12	1/2"	5/16"
RVBD-112	1/2"	1"
RVBD-34	3/4"	3/4"

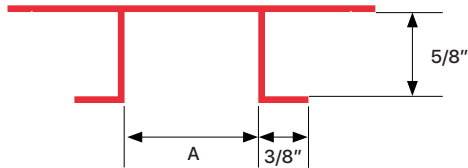


RVDF

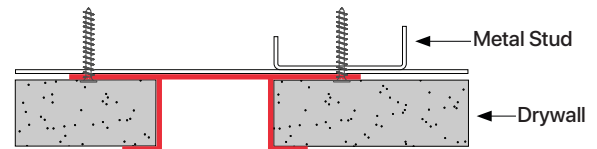
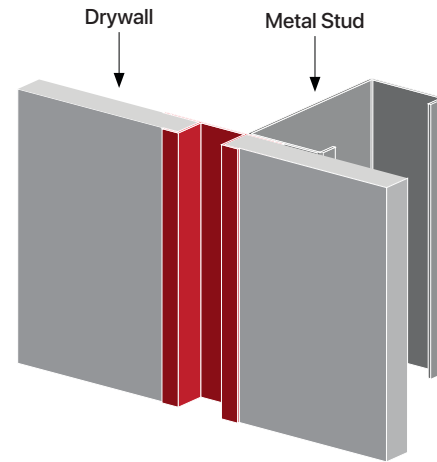
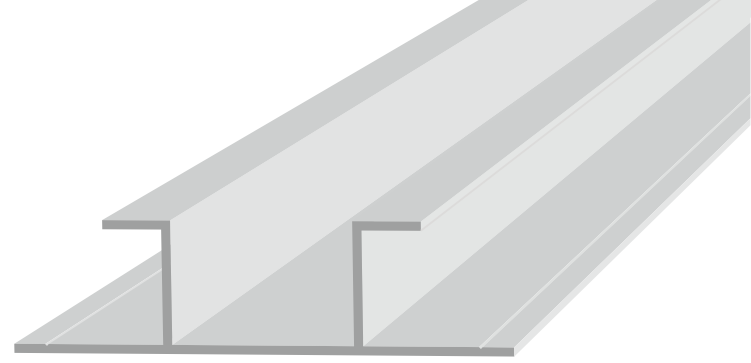
Reveal Double Flange

Creates a sleek shadow line with simple reveal space and double flange arms. Can be installed vertically, horizontally or diagonally. Used in conjunction with 5/8" drywall, panel installation and wrapped surface finishes such as fabric or vinyl wall coverings. Ridged faces for tape & float.

Available in 10' length. 6063 T5 aluminum with standard clear anodized or primed finish. Anodized color and powder coating finishes available with custom color matching.



ITEM ID	A
RVDF-12	1/2"
RVDF-100	1"
RVDF-200	2"

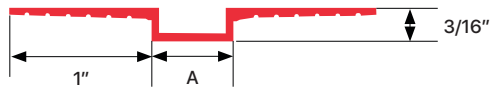


RPS

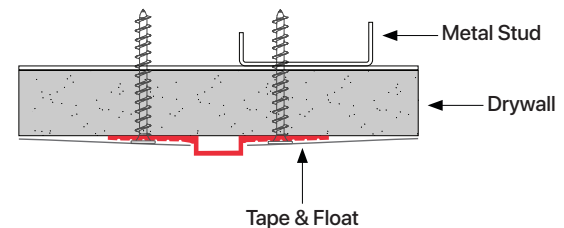
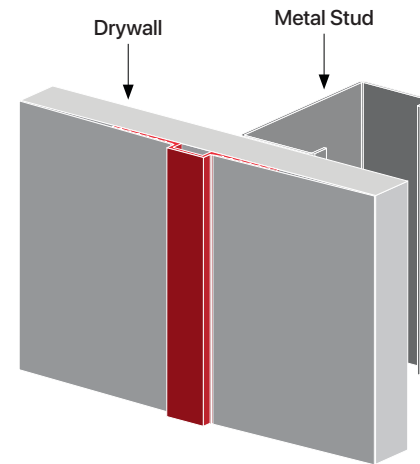
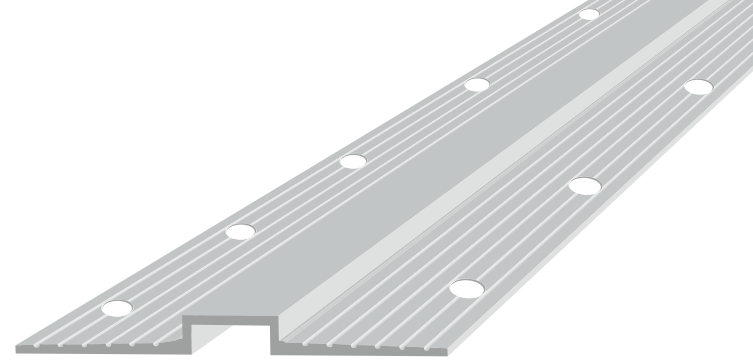
Reveal Projecting Square

Creates an appealing design with projecting square detail that allows installation vertically, horizontally or diagonally. Can be used in conjunction with drywall or behind panel installation and wrapped surface finishes such as fabric or vinyl wall coverings. Ridged faces for tape and float and pre-punched holes for easy install (hole placement may vary).

Available in 10' length. 6063 T5 aluminum with standard clear anodized or primed finish. Anodized color and powder coating finishes available with custom color matching.



ITEM ID	A
RPS-14	1/4"
RPS-12	1/2"
RPS-100	1"

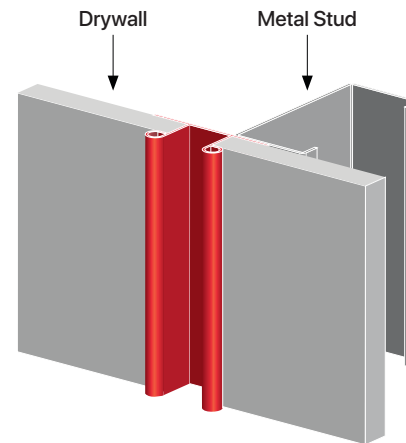
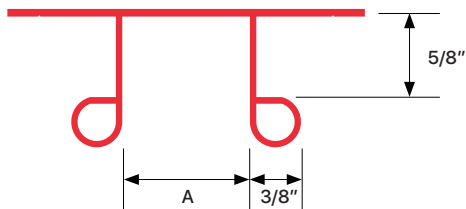


RVRD

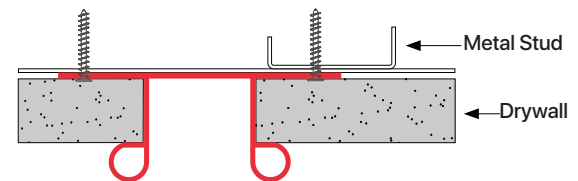
Reveal Round

Creates an appealing recess with projecting details that allows installation vertically, horizontally or diagonally. Can be used in conjunction with 5/8" drywall, panel installation and wrapped surface finishes such as fabric or vinyl wall coverings.

Available in 10' length. 6063 T5 aluminum with standard clear anodized or primed finish. Anodized color and powder coating finishes available with custom color matching.



ITEM ID	A
RVRD-12	1/2"
RVRD-100	1"
RVRD-200	2"

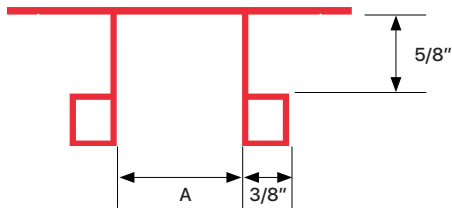


RVRS

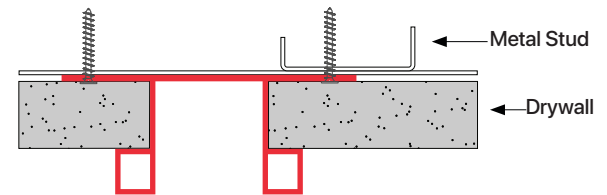
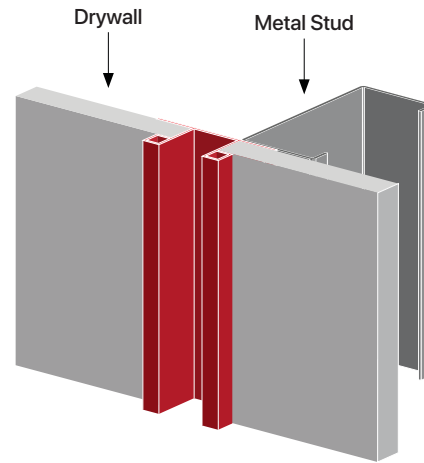
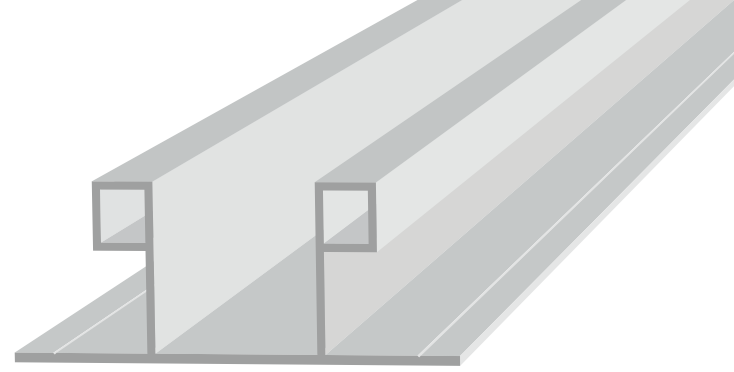
Reveal Square

Creates an appealing recess with projecting square details that allows installation vertically, horizontally or diagonally. Can be used in conjunction with 5/8" drywall, panel installation and wrapped surface finishes such as fabric or vinyl wall coverings.

Available in 10' length. 6063 T5 aluminum with standard clear anodized or primed finish. Anodized color and powder coating finishes available with custom color matching.



ITEM ID	A
RVRS-12	1/2"
RVRS-100	1"
RVRS-200	2"

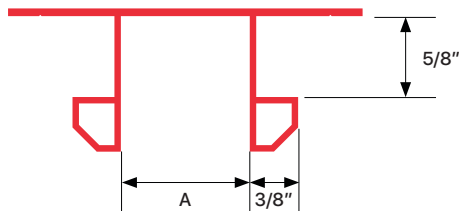


RVSA

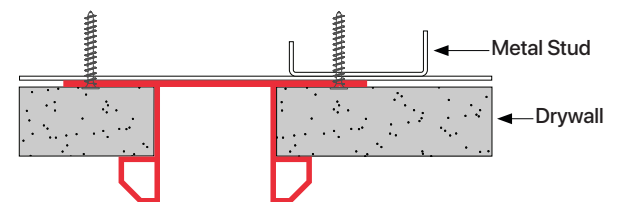
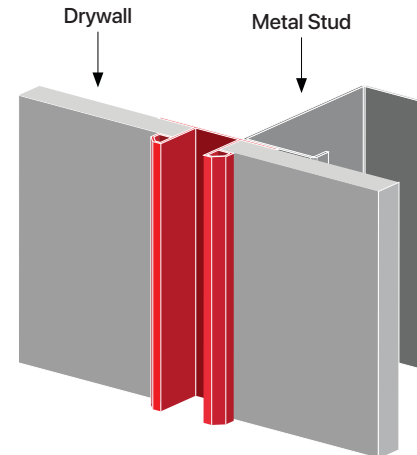
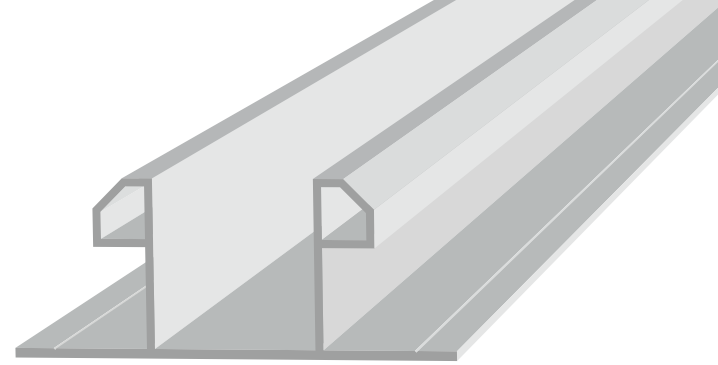
Reveal Square Angled

Creates an appealing recess with projecting angled details that allows installation vertically, horizontally or diagonally. Can be used in conjunction with 5/8" drywall, panel installation and wrapped surface finishes such as fabric or vinyl wall coverings.

Available in 10' length. 6063 T5 aluminum with standard clear anodized or primed finish. Anodized color and powder coating finishes available with custom color matching.



ITEM ID	A
RVSA-12	1/2"
RVSA-100	1"
RVSA-200	2"

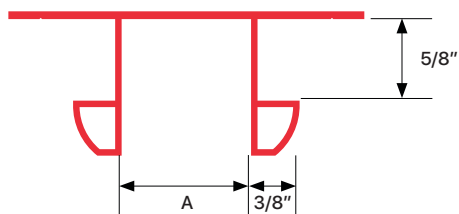


RVST

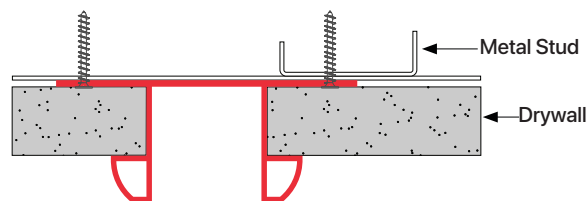
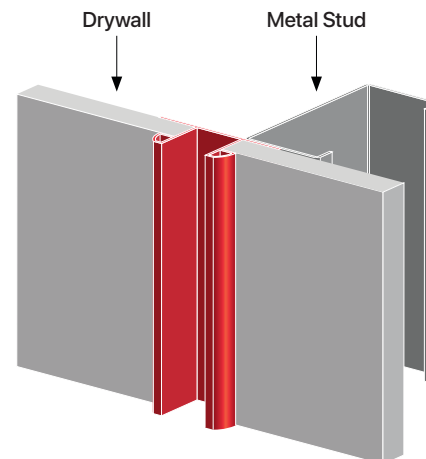
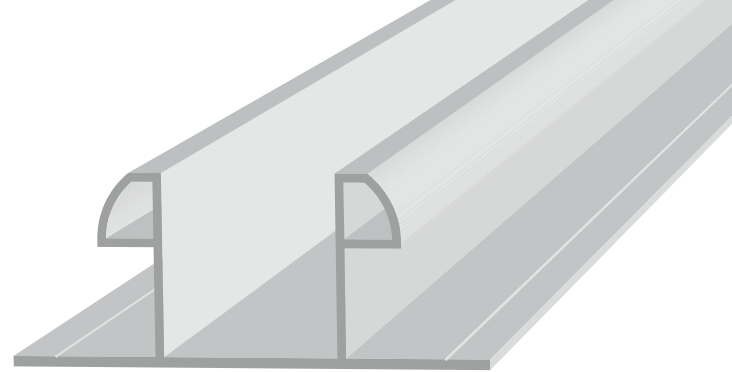
Reveal Square Tapered

Creates an appealing recess with projecting tapered details that allows installation vertically, horizontally or diagonally. Can be used in conjunction with 5/8" drywall, panel installation and wrapped surface finishes such as fabric or vinyl wall coverings.

Available in 10' length. 6063 T5 aluminum with standard clear anodized or primed finish. Anodized color and powder coating finishes available with custom color matching.



ITEM ID	A
RVST-12	1/2"
RVST-100	1"
RVST-200	2"

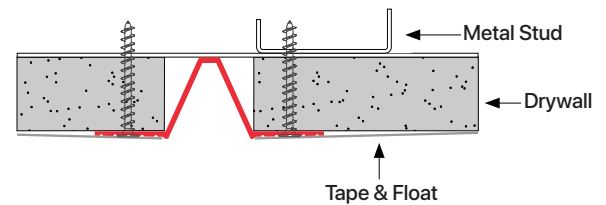
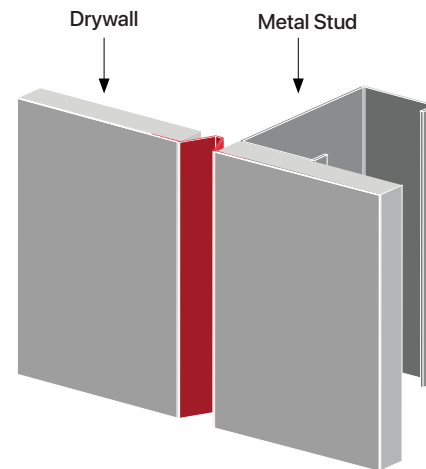
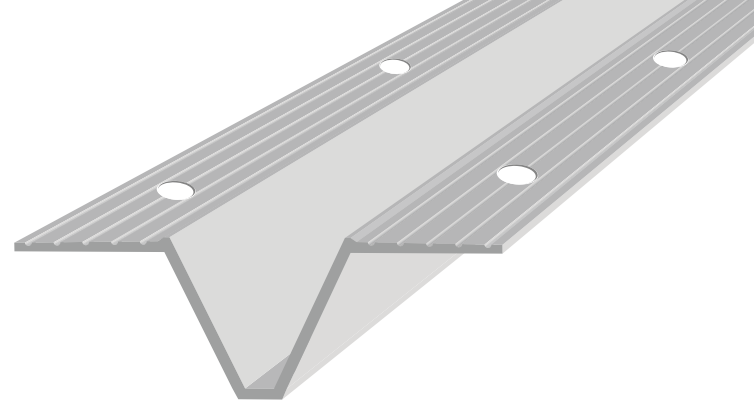
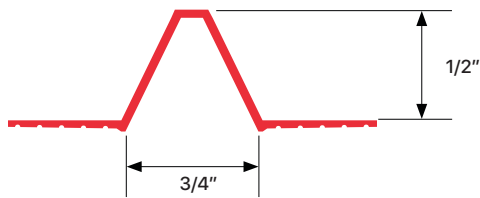


RVV

Reveal V

Creates a unique shadow line with V-shaped reveal space that allows installation vertically, horizontally or diagonally. Can be used in conjunction with 5/8" drywall, panel installation and wrapped surface finishes such as fabric or vinyl wall coverings. Ridged faces for tape & float and prepunched holes for easy install (hole placement may vary).

Available in 10' length. 6063 T5 aluminum with standard clear anodized or primed finish. Anodized color and powder coating finishes available with custom color matching.

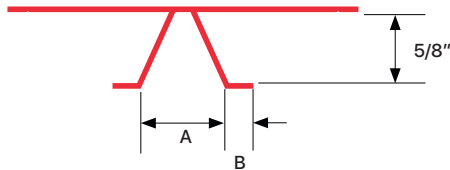
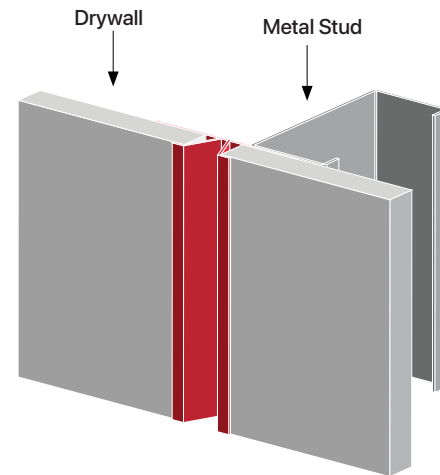
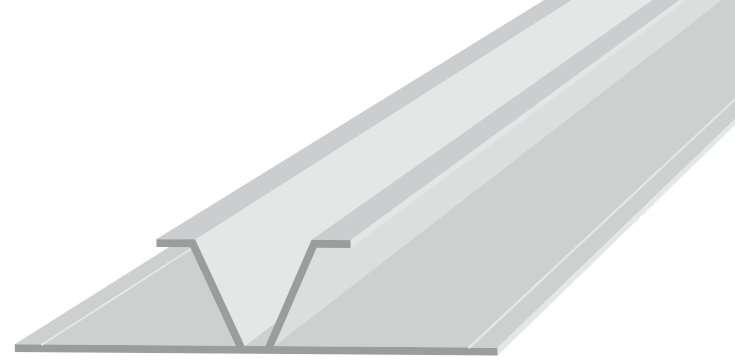


RVVF

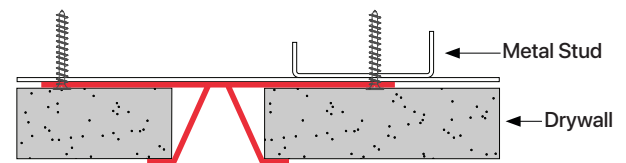
Reveal V Flange

Creates beautiful shadow line with V-shaped reveal space and double flanges. Can be installed vertically, horizontally or diagonally. Used in conjunction with 5/8" drywall, panel installation and wrapped surface finishes such as fabric or vinyl wall coverings.

Available in 10' length. 6063 T5 aluminum with standard clear anodized or primed finish. Anodized color and powder coating finishes available with custom color matching.



ITEM ID	A	B
RVVF-14	3/4"	1/4"
RVVF-38	3/4"	3/8"



Bases

Less is more. Change the way your walls transition to the floor with shadow lines, sleek reveals and clean transitions.

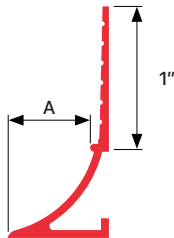


BCT

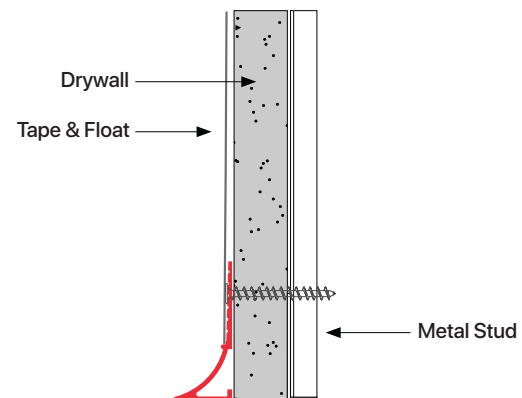
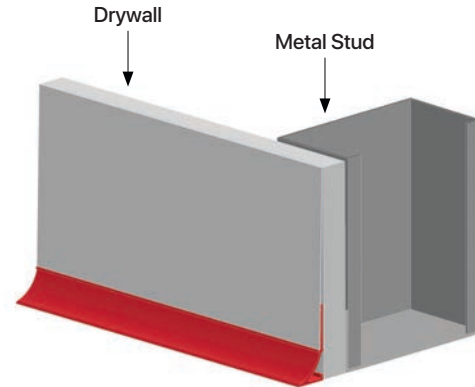
Base Cove Transition

Versatile transition piece perfect for finishing the joint between walls and countertops or walls and floors. Ridged face provided for tape & float.

Available in 10' length. 6063 T5 aluminum with standard clear anodized or primed finish. Anodized color and powder coating finishes available with custom color matching.



ITEM ID	A
BCT-12	1/2"
BCT-34	3/4"

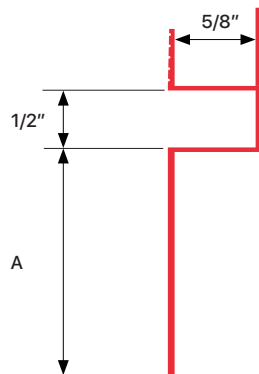


BF

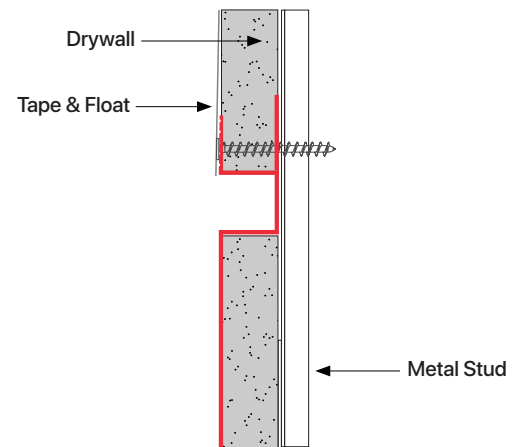
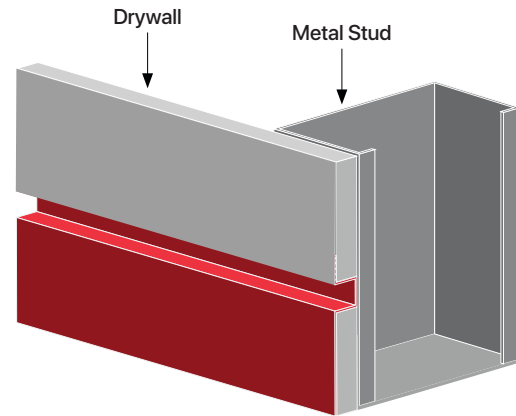
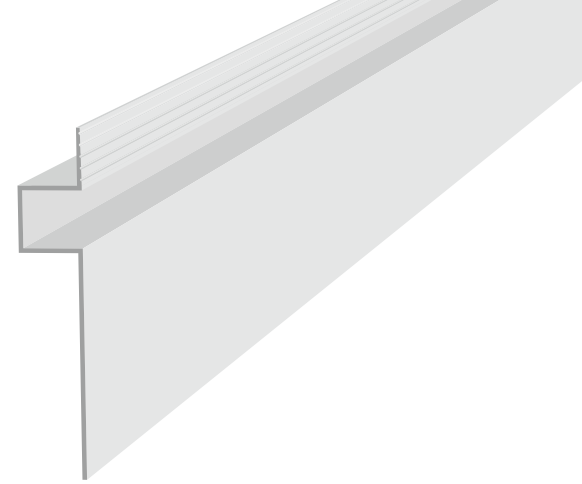
Base Flush

Contemporary profile creates a clean shadow line and provides wall protection. Can be used in conjunction with wrapped surface finishes such as fabric or vinyl wall coverings. Ridged face provided for tape & float.

Available in 10' length. 6063 T5 aluminum with standard clear anodized or primed finish. Anodized color and powder coating finishes available with custom color matching.



ITEM ID	A
BF-250	2-1/2"
BF-350	3-1/2"

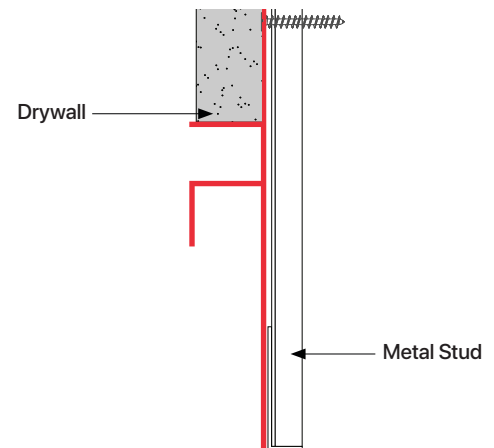
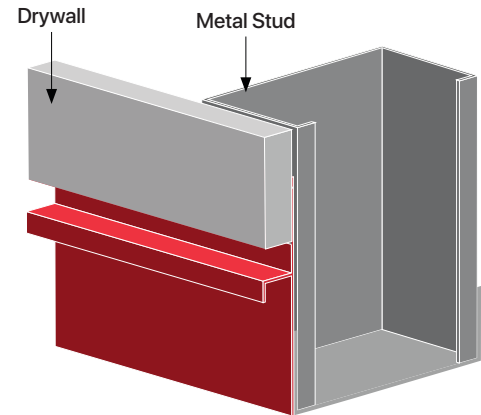
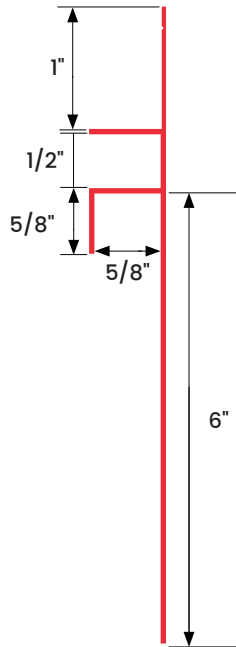


BLF

Base Ledge Flange

Uniquely designed profile that creates a recessed base at the bottom of a wall adding a decorative flange as well as a reveal. Can be used with virtually any wall material including panels and wrapped surface finishes such as fabric or vinyl wall coverings.

Available in 10' length. 6063 T5 aluminum with standard clear anodized or primed finish. Anodized color and powder coating finishes available with custom color matching.



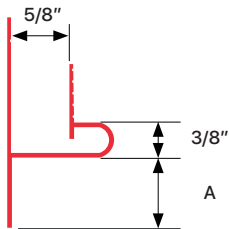
BPR

Base Projecting Round

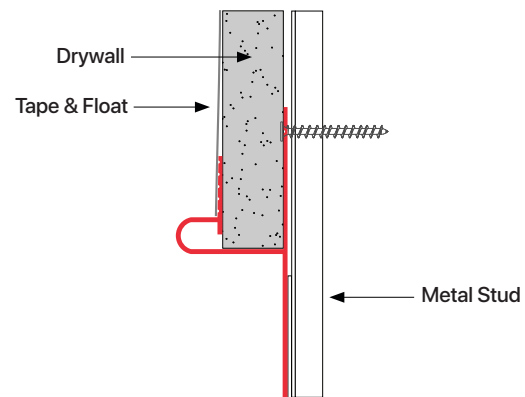
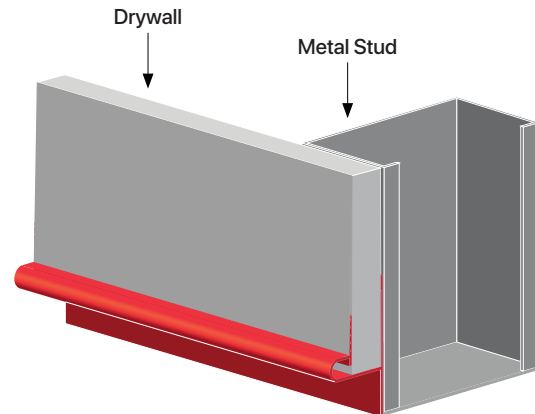
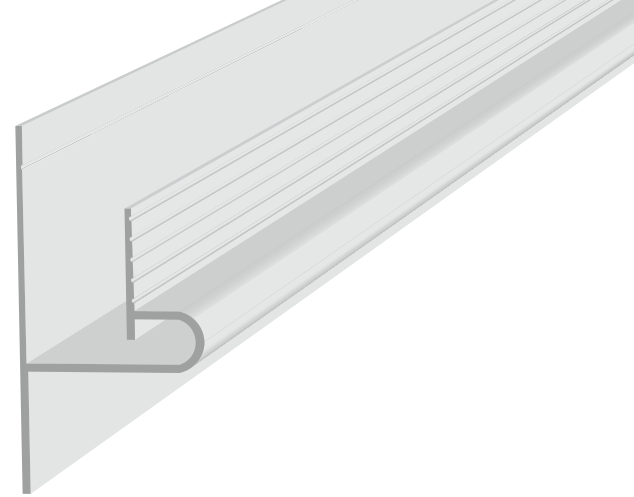
CDN PAT 170,505

Stunning profile that creates a recessed base at the bottom of a wall just above floor surface or at the top of a wall just below the ceiling surface. Projecting round edge adds beautiful detail to any space. Ridged face provided for tape & float. Can be used in conjunction with wrapped surface finishes such as fabric or vinyl wall coverings.

Available in 10' length. 6063 T5 aluminum with standard clear anodized or primed finish. Anodized color and powder coating finishes available with custom color matching.



ITEM ID	A
BPR-34	3/4"
BPR-150	1-1/2"
BPR-200	2"
BPR-250	2-1/2"



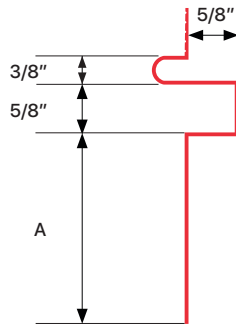
BPRR

Base Projecting Round Reveal

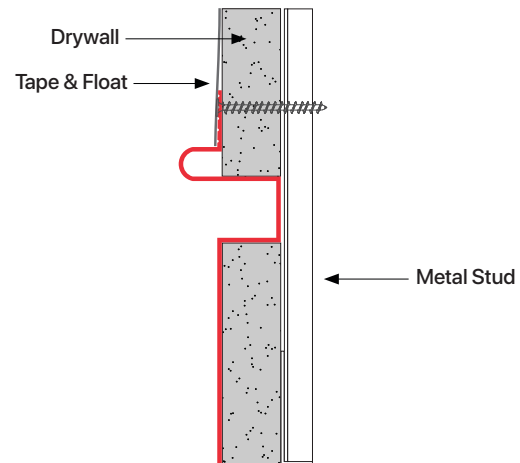
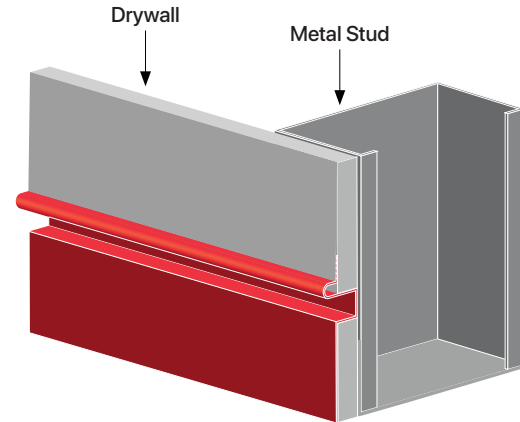
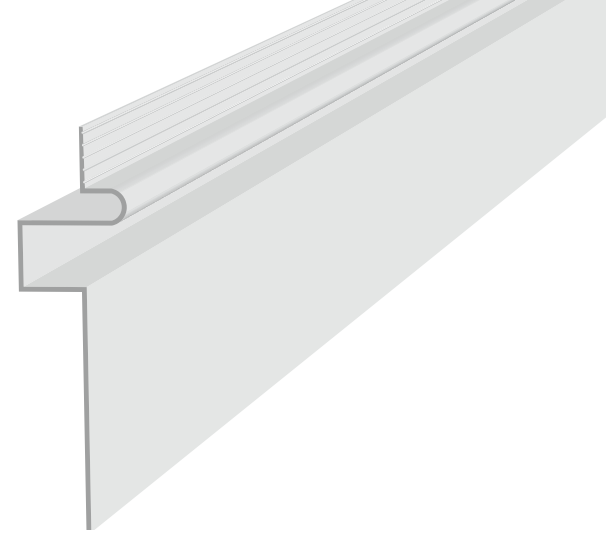
PATENT PENDING

Unique profile that creates a combination reveal and projecting detail line at the bottom of a wall just above floor surface or at the top of a wall just below the ceiling surface. Projecting round edge adds classic and refined detail. Ridged face provided for tape & float. Can be used in conjunction with wrapped surface finishes such as fabric or vinyl wall coverings.

Available in 10' length. 6063 T5 aluminum with standard clear anodized or primed finish. Anodized color and powder coating finishes available with custom color matching.



ITEM ID	A
BPRR-250	2-1/2"
BPRR-300	3"



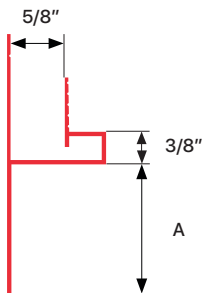
BPS

Base Projecting Square

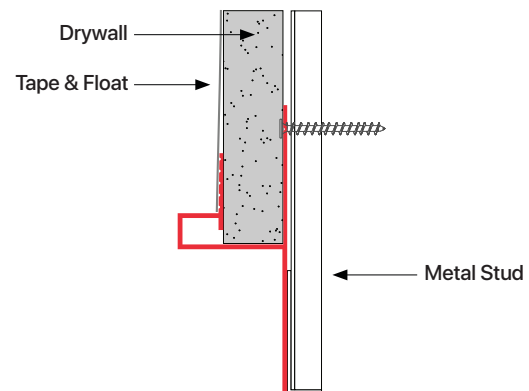
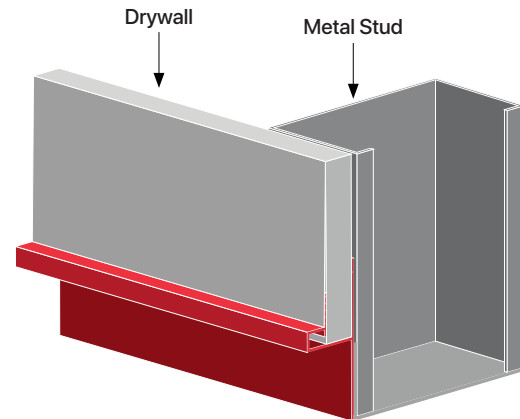
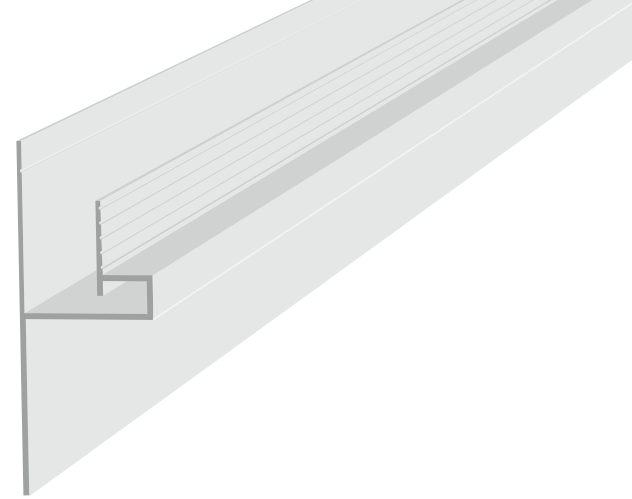
CDN PAT 170,505

Sleek profile that creates a recessed base at the bottom of a wall just above floor surface or at the top of a wall just below the ceiling surface. Projecting square edge adds classic and refined detail. Ridged face provided for tape & float. Can be used in conjunction with wrapped surface finishes such as fabric or vinyl wall coverings.

Available in 10' length. 6063 T5 aluminum with standard clear anodized or primed finish. Anodized color and powder coating finishes available with custom color matching.



ITEM ID	A
BPS-34	3/4"
BPS-150	1-1/2"
BPS-200	2"
BPS-250	2-1/2"



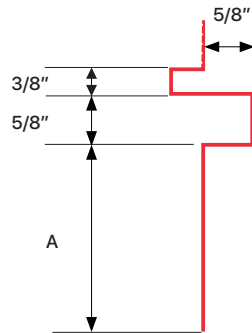
BPSR

Base Projecting Square Reveal

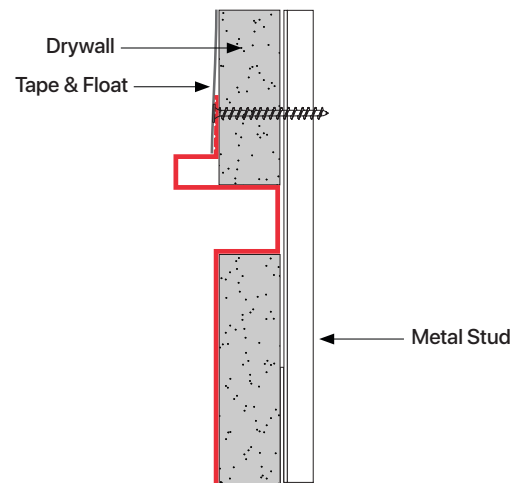
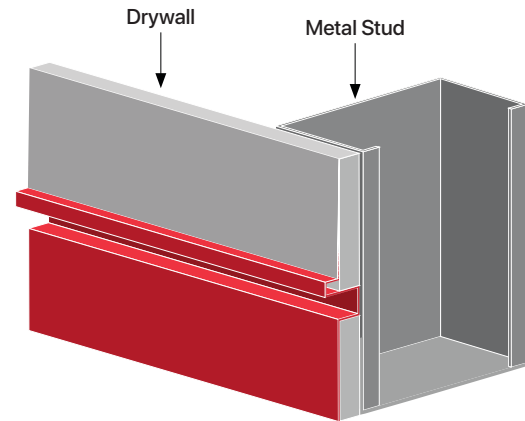
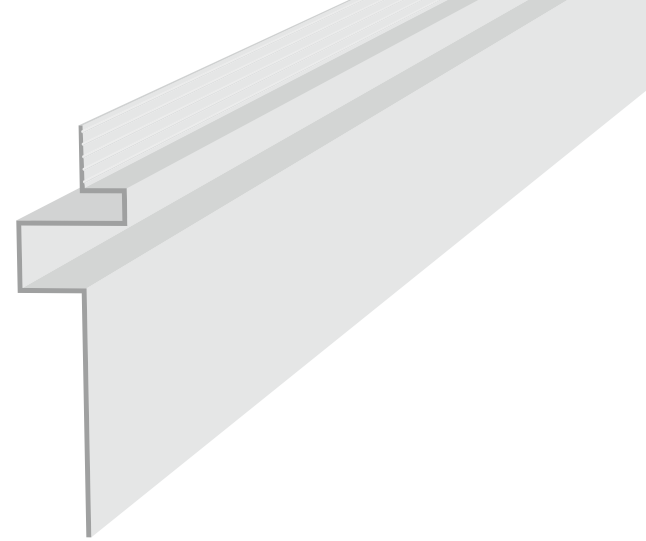
PATENT PENDING

Unique profile that creates a combination reveal and projecting detail line at the bottom of a wall just above floor surface or at the top of a wall just below the ceiling surface. Projecting square edge adds classic and refined detail. Ridged face provided for tape & float. Can be used in conjunction with wrapped surface finishes such as fabric or vinyl wall coverings.

Available in 10' length. 6063 T5 aluminum with standard clear anodized or primed finish. Anodized color and powder coating finishes available with custom color matching.



ITEM ID	A
BPSR-250	2-1/2"
BPSR-300	3"

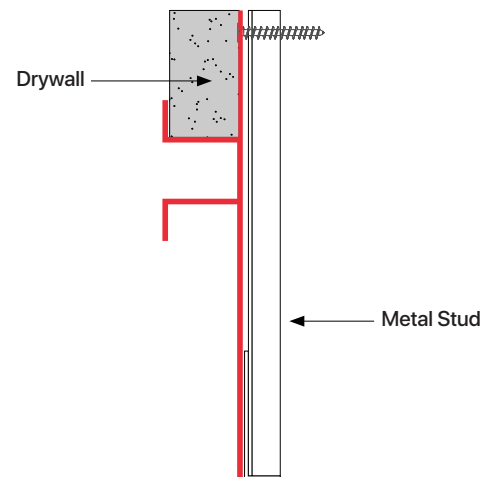
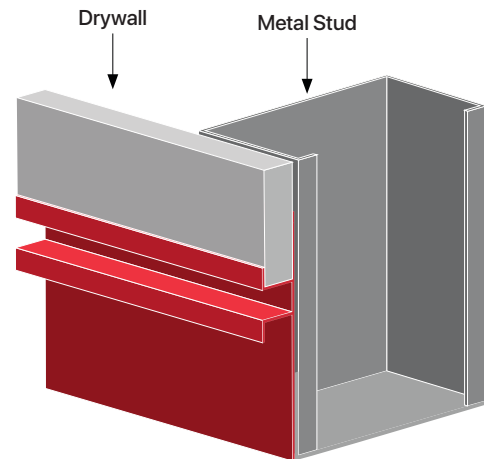
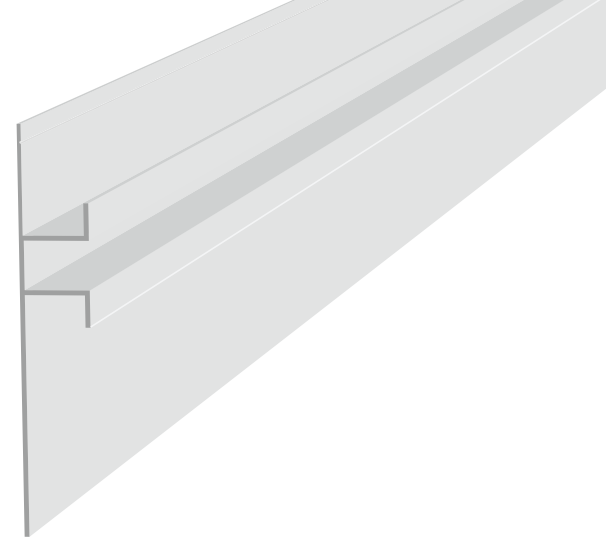
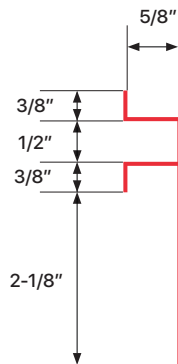


BRDF

Base Reveal Double Flange

Striking profile that creates a recessed base at the bottom of a wall just above floor surface or at the top of a wall just below the ceiling surface. Double flange creates a reveal for visual impact as well as protecting the bottom of wall material and creating a lower recess. Can be used in conjunction with wrapped surface finishes such as fabric or vinyl wall coverings.

Available in 10' length. 6063 T5 aluminum with standard clear anodized or primed finish. Anodized color and powder coating finishes available with custom color matching.

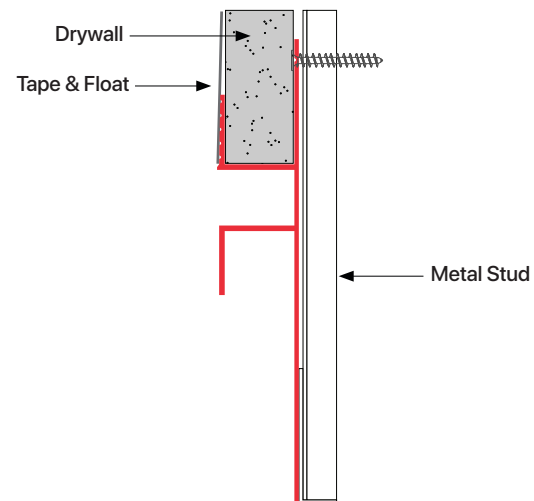
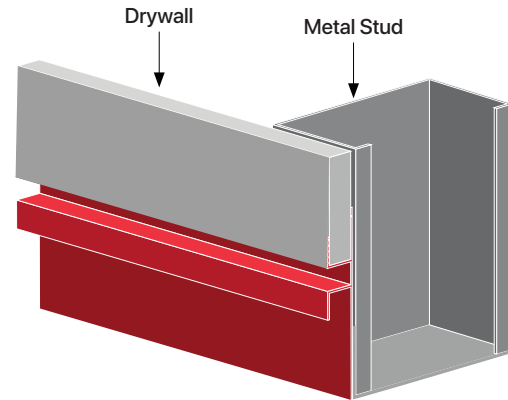
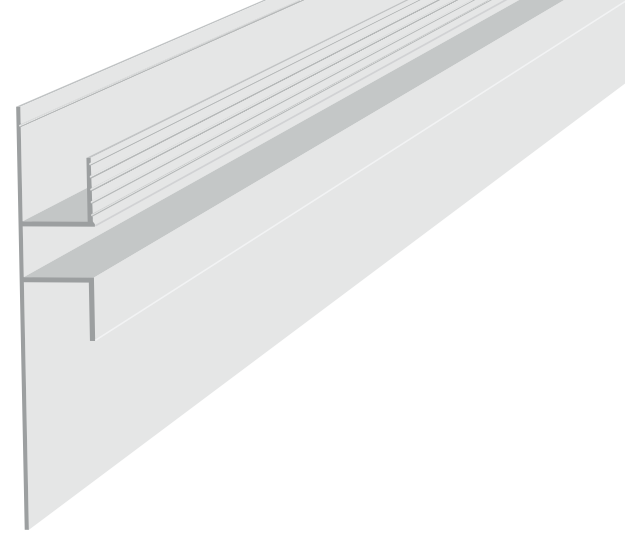
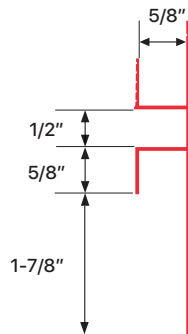


BRF

Base Reveal Flange

Uniquely detailed profile that creates a recessed base at the bottom of a wall adding a decorative flange as well as a reveal. Ideal placement just above floor surface or at the top of a wall just below the ceiling surface. Ridged face provided for tape & float. Can be used in conjunction with wrapped surface finishes such as fabric or vinyl wall coverings.

Available in 10' length. 6063 T5 aluminum with standard clear anodized or primed finish. Anodized color and powder coating finishes available with custom color matching.

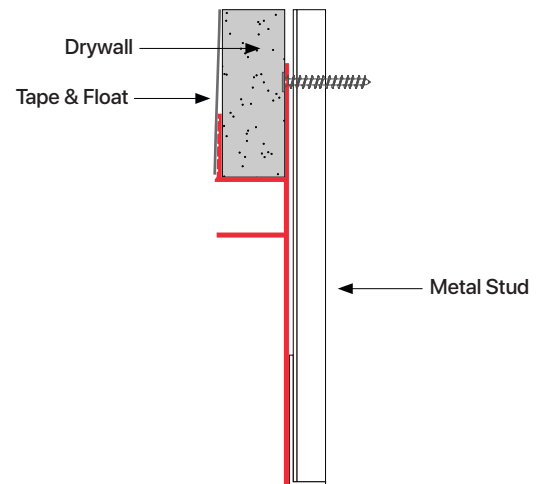
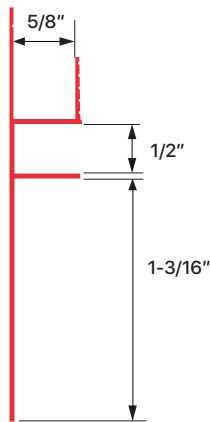
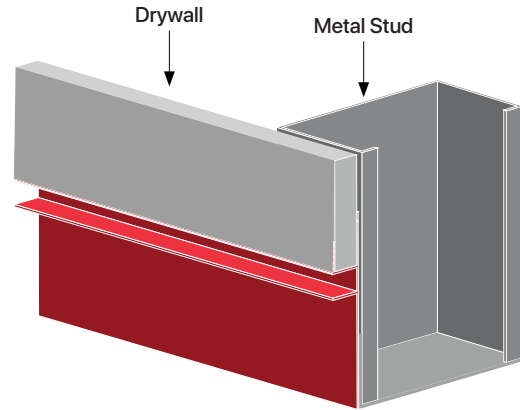
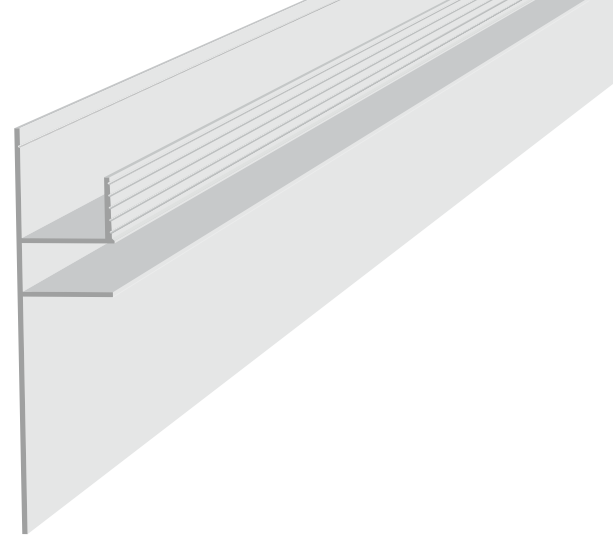


BRL

Base Reveal Ledge

Classic profile that creates a recessed base at the bottom of a wall just above floor surface or at the top of a wall just below the ceiling surface with additional reveal space created by a projecting edge. Projecting linear edge adds streamlined detail to any room. Ridged face provided for tape & float. Can be used in conjunction with wrapped surface finishes such as fabric or vinyl wall coverings.

Available in 10' length. 6063 T5 aluminum with standard clear anodized or primed finish. Anodized color and powder coating finishes available with custom color matching.

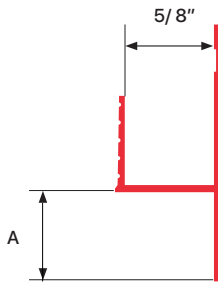


BSL

Base Shadow Line

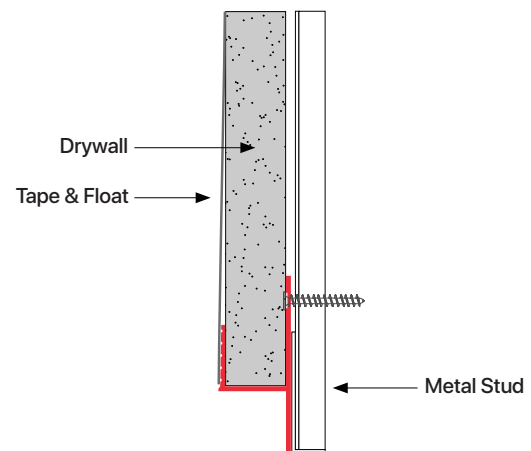
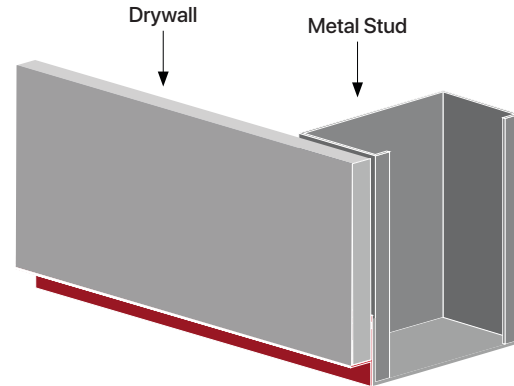
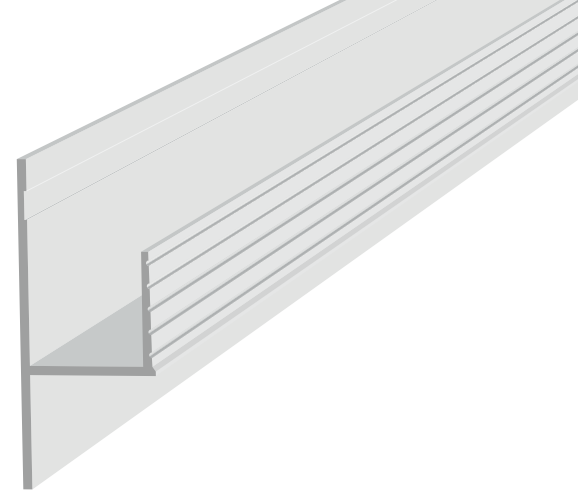
Create visually stunning shadow lines with a minimalist base trim that allows the wall to appear to float just above the floor surface and allows for the same effect at the top of the wall just below the ceiling surface. Can be used vertically or horizontally. Ridged face provided for tape & float. Can be used in conjunction with wrapped surface finishes such as fabric or vinyl wall coverings.

Available in 10' length. 6063 T5 aluminum with standard clear anodized or primed finish. Anodized color and powder coating finishes available with custom color matching.



ITEM ID	A
BSL-516	5/16"
BSL-58	5/8"
BSL-150	1-1/2"
BSL-250	2-1/2"
BSL-400	4"

*BSL-400 also available for 1/2" drywall





Corners

Protection and beauty in one! Our line of unique corner profiles offers innovative solutions for any project.

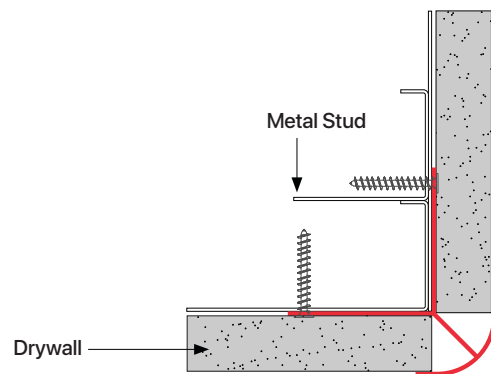
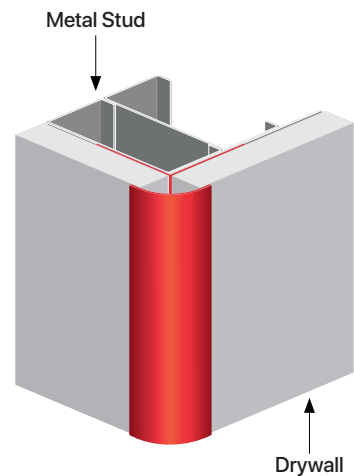
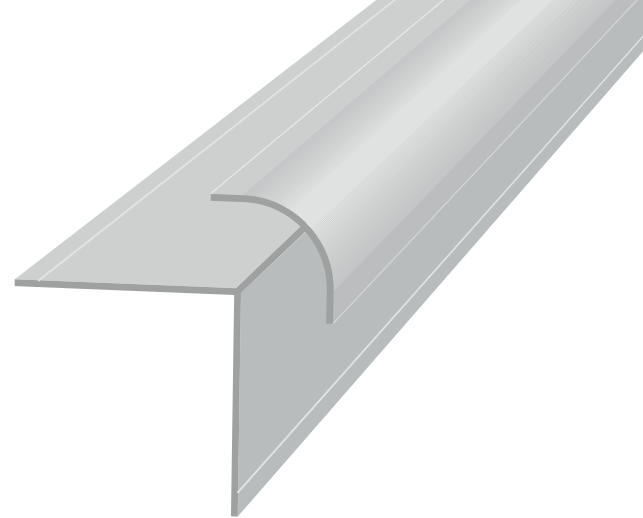
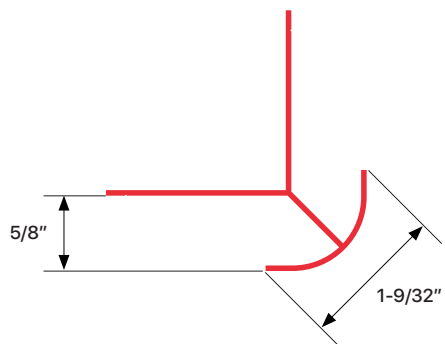


CAC

Corner Arc

Simple but stunning corner profile. Provides corner protection and simple design for vertical and horizontal drywall or panel corners. Can be used in conjunction with wrapped surface finishes such as fabric or vinyl wall coverings.

Available in 10' length. 6063 T5 aluminum with standard clear anodized or primed finish. Anodized color and powder coating finishes available with custom color matching.

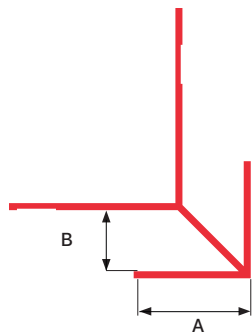


CALP

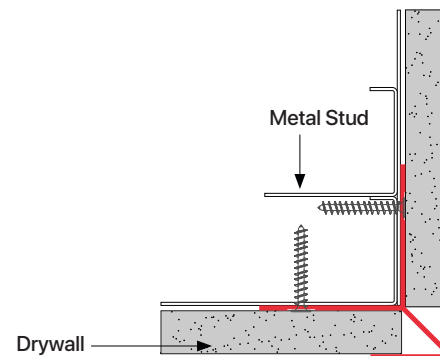
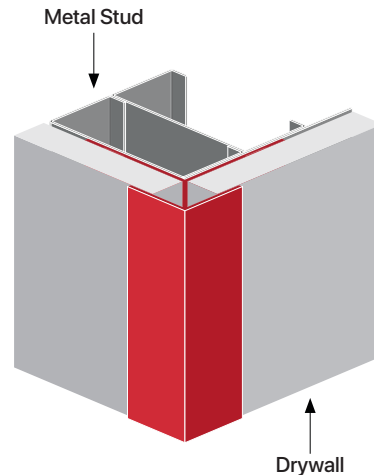
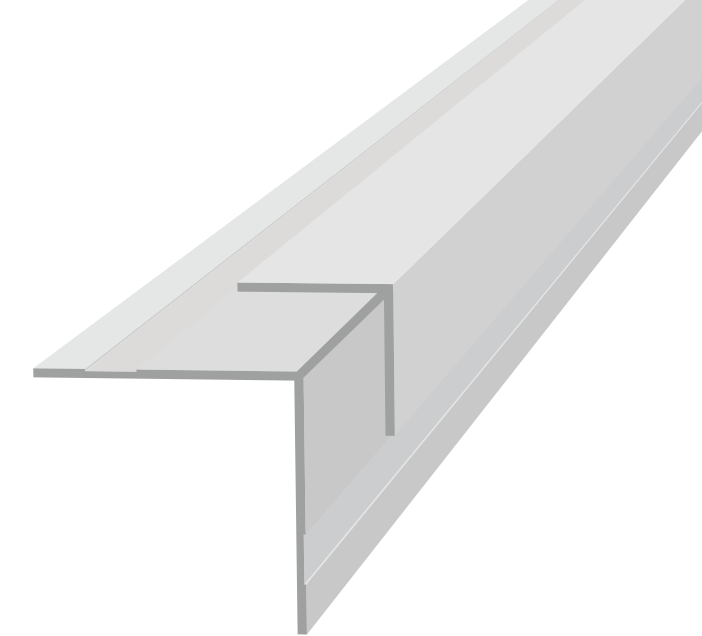
Corner Arrow Low Profile

Very popular face sizes which offer a clean outside corner for drywalls. Works well with all vertical options. Can be used in conjunction with drywall, panel installation and wrapped surface finishes such as fabric or vinyl wall coverings.

Available in 10' length. 6063 T5 aluminum with standard clear anodized or primed finish. Anodized color and powder coating finishes available with custom color matching.



ITEM ID	A	B
CALP-716	1"	7/16"
CALP-58	1-1/8"	5/8"

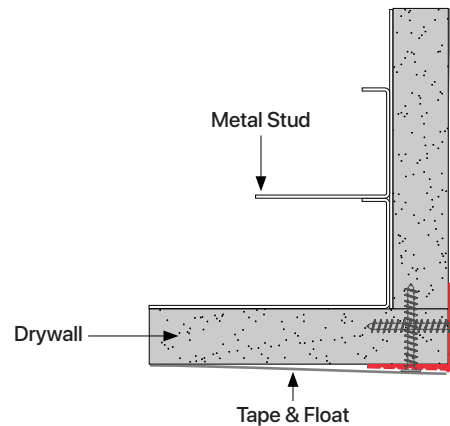
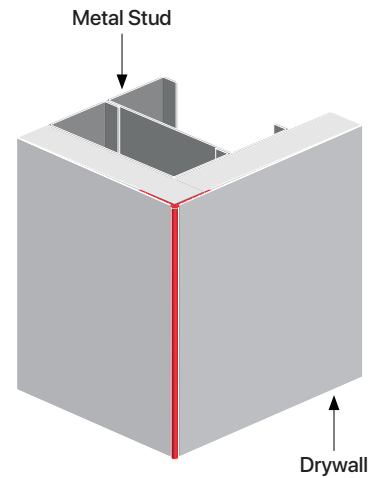
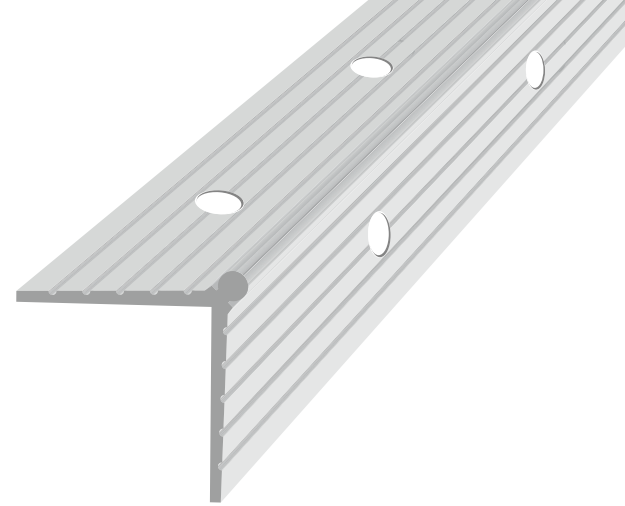
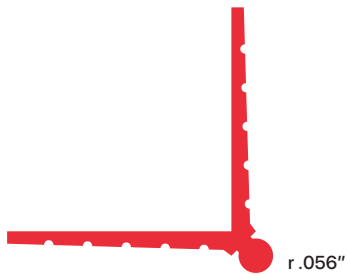


CBD

Corner Bead

Minimalistic bead line corner profile. Provides corner protection and sleek design for vertical drywall corners. Can be used in conjunction with wrapped surface finishes such as fabric or vinyl wall coverings. Ridged faces for tape & float and pre-punched holes for easy install (hole placement may vary).

Available in 10' length. 6063 T5 aluminum with standard clear anodized or primed finish. Anodized color and powder coating finishes available with custom color matching.



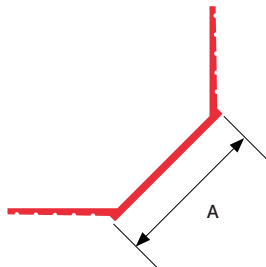
XtremeInterior™ profiles are subject to alterations with or without notice.

CBV

Corner Bevel

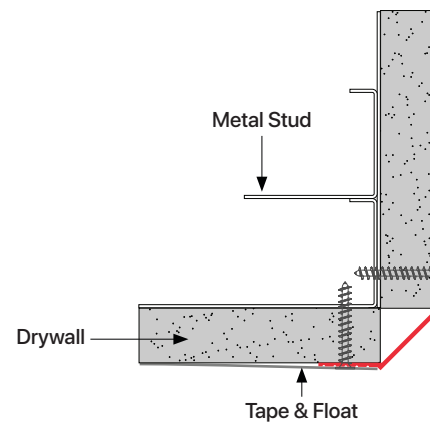
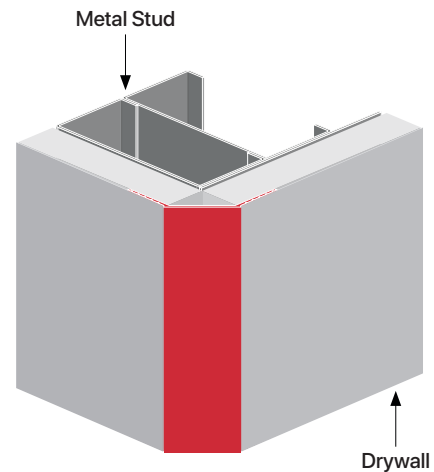
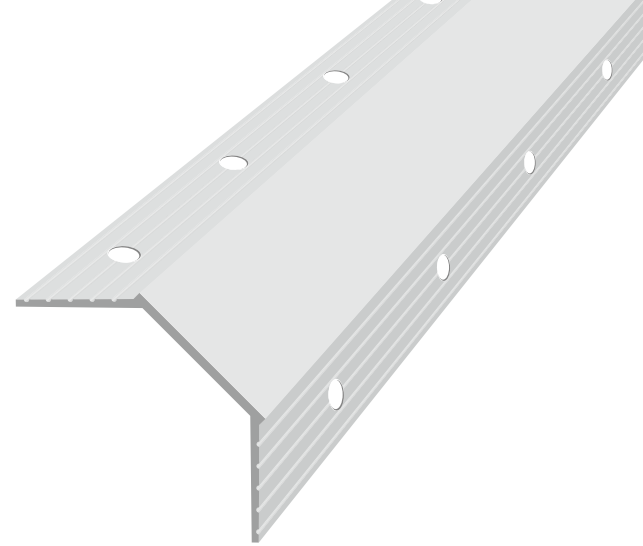
Modern and modest beveled corner profile. Provides corner protection and streamlined design for vertical or horizontal drywall corners. Can be used in conjunction with wrapped surface finishes such as fabric or vinyl wall coverings. Ridged faces for tape & float and pre-punched holes for easy install (hole placement may vary).

Available in 10' length. 6063 T5 aluminum with standard clear anodized or primed finish. Anodized color and powder coating finishes available with custom color matching.



ITEM ID	A
CBV-100	1"
CBV-200	2"
CBV-300	3"

XtremeInterior™ profiles are subject to alterations with or without notice.



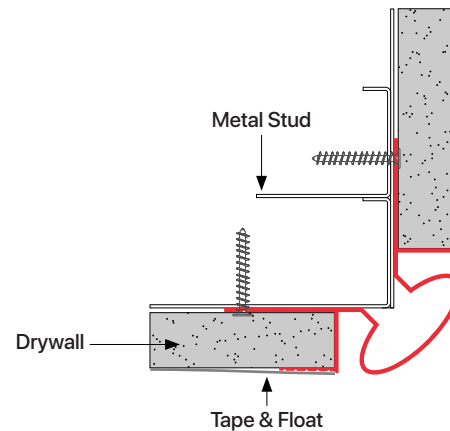
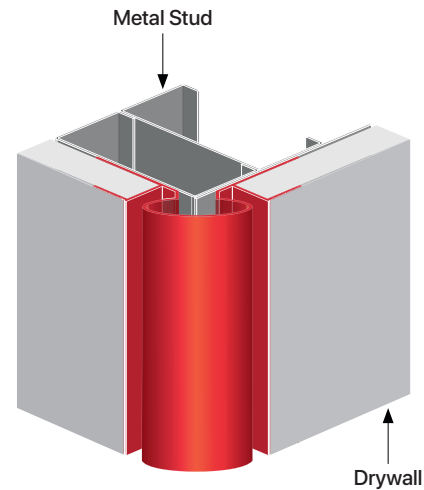
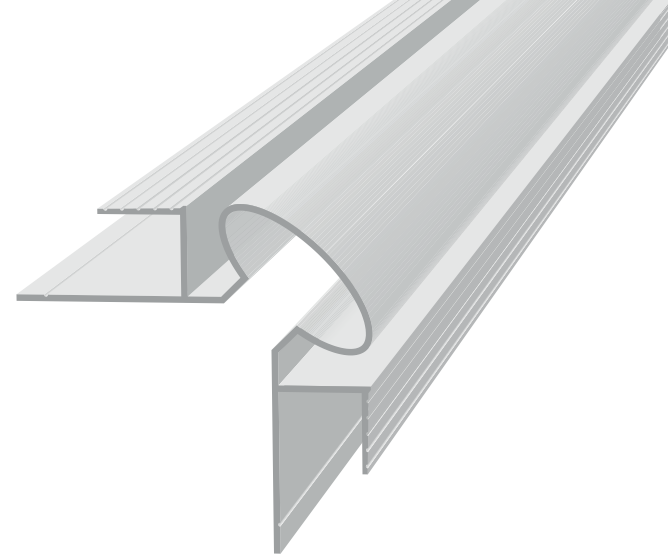
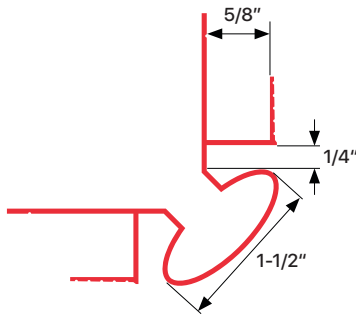
CEL

Corner Elliptical

PATENT PENDING

Design feature with elliptical corner for vertical and horizontal (for fur down applications) drywall corners. Can be used in conjunction with wrapped surface finishes such as fabric or vinyl wall coverings. Unique design with stunning visual results. Provides corner protection and reveal creates the illusion of a floating corner. Ridged faces provided for tape & float.

Available in 10' length. 6063 T5 aluminum with standard clear anodized or primed finish. Anodized color and powder coating finishes available with custom color matching.



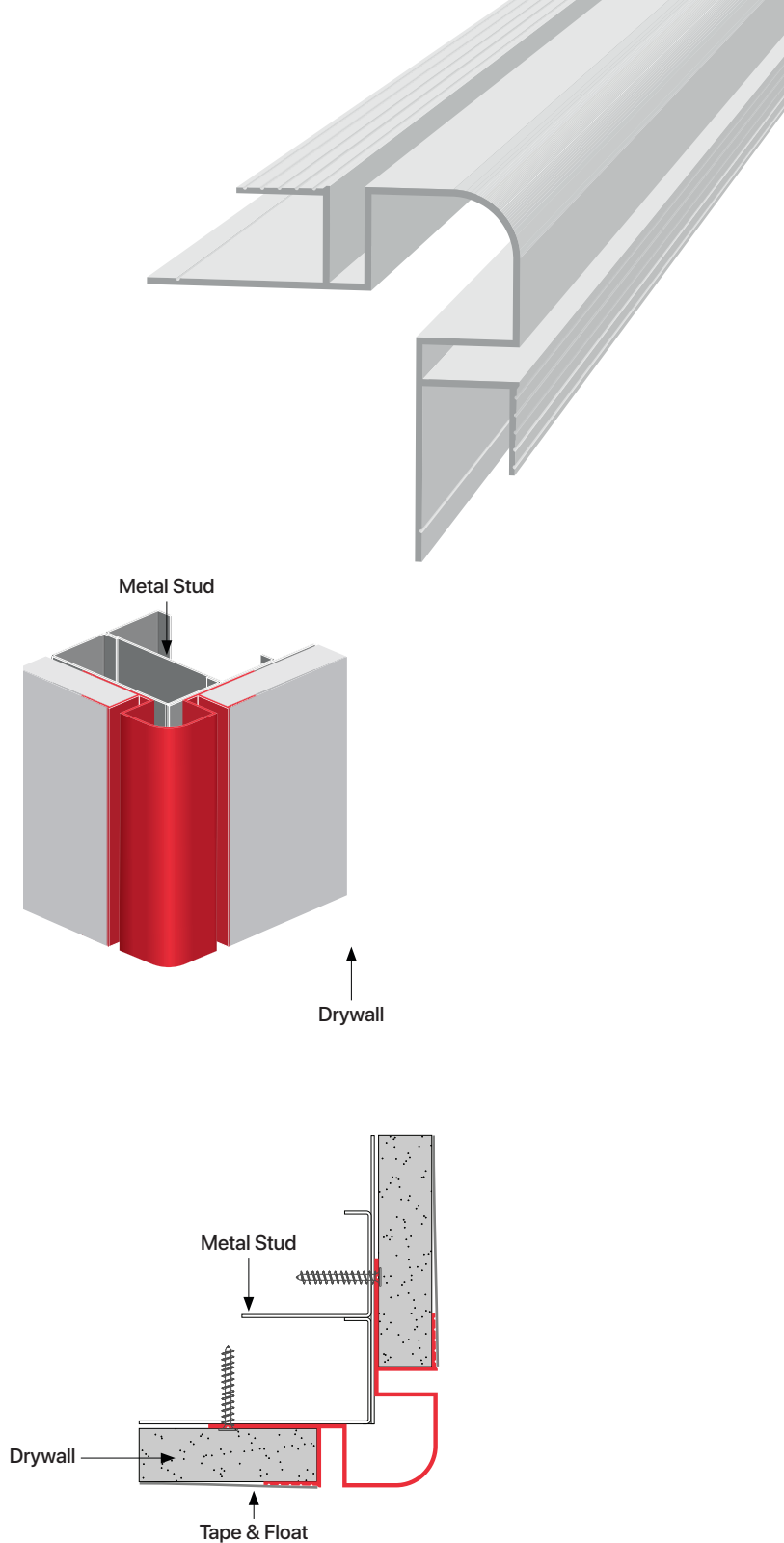
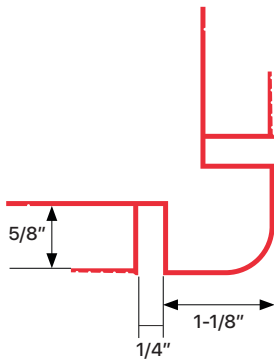
CRA

Corner Radiused

PATENT NO. US D821,610 S

Design feature with rounded edge for vertical and horizontal (for fur-down applications) drywall or panel corners. Can be used in conjunction with wrapped surface finishes such as fabric or vinyl wall coverings. Provides corner protection and reveal creates the illusion of a floating corner. Ridged faces provided for taping and floating.

Available in 10' length. 6063 T5 aluminum with standard standard clear anodized or primed finish. Anodized color and powder coating finishes available with custom color matching.



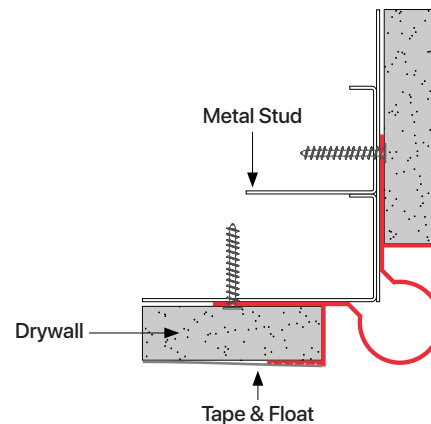
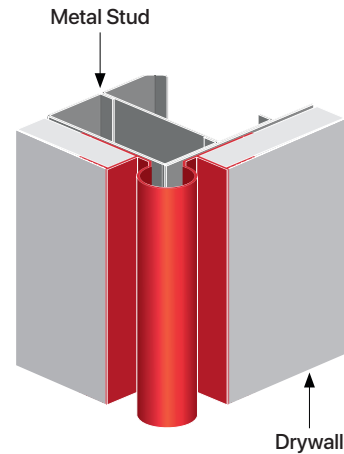
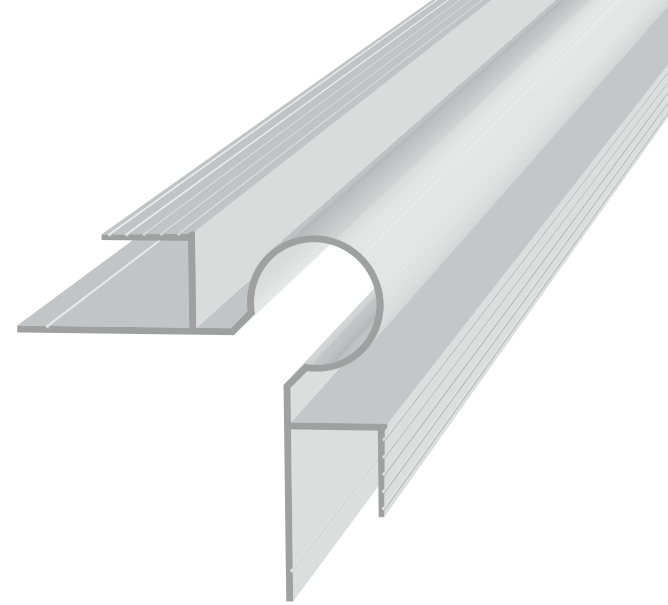
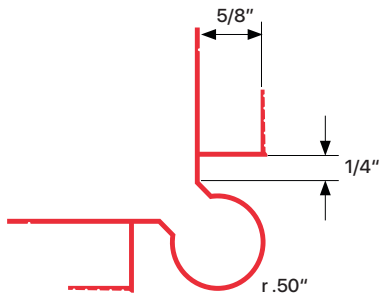
CRD

Corner Round

PATENT PENDING

Design feature with circular corner for vertical and horizontal (for fur down applications) drywall or panel corners. Can be used in conjunction with wrapped surface finishes such as fabric or vinyl wall coverings. Provides corner protection and creates the illusion of a floating corner. Ridged faces provided for tape & float.

Available in 10' length. 6063 T5 aluminum with standard clear anodized or primed finish. Anodized color and powder coating finishes available with custom color matching.



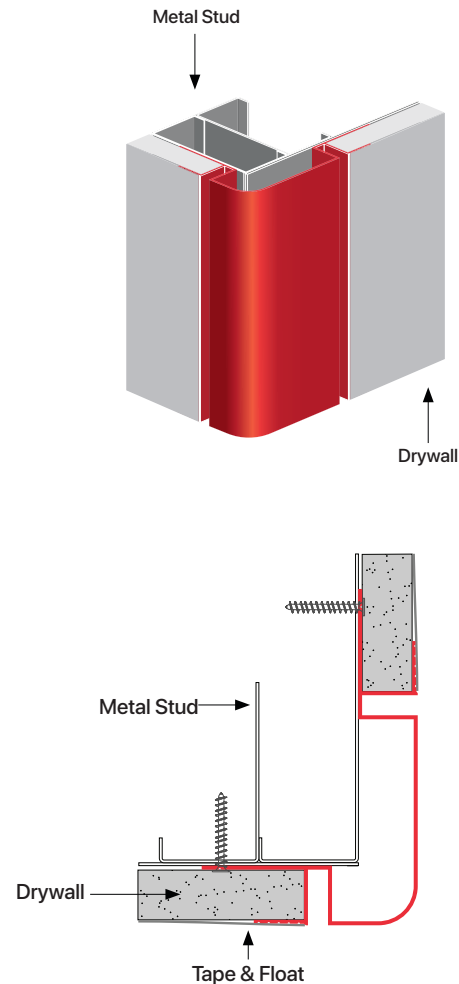
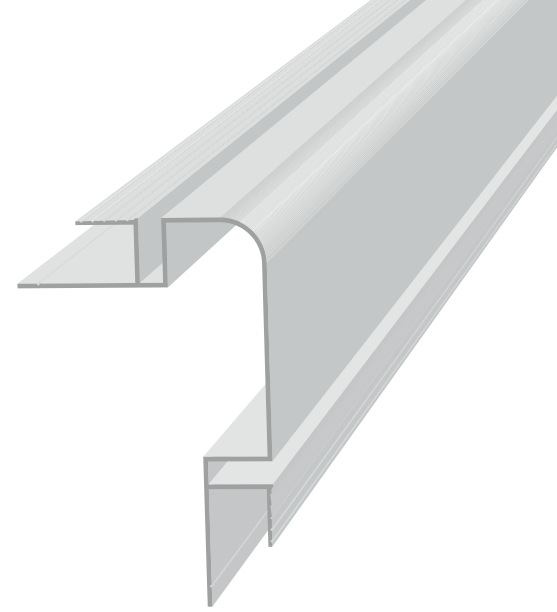
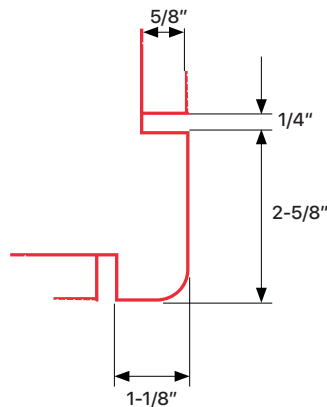
CRR

Corner Rectangular Radiused

PATENT PENDING

Design feature with rounded asymmetrical corner for vertical and horizontal (for fur down applications) drywall corners. Can be used in conjunction with wrapped surface finishes such as fabric or vinyl wall coverings. Provides corner protection and creates the illusion of a floating corner. Ridged faces provided for tape & float.

Available in 10' length. 6063 T5 aluminum with standard clear anodized or primed finish. Anodized color and powder coating finishes available with custom color matching.



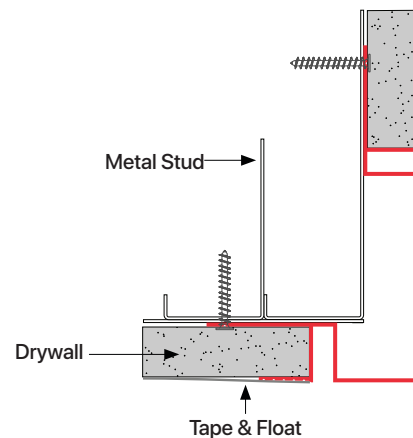
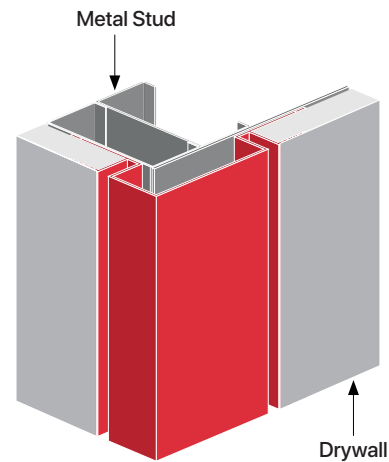
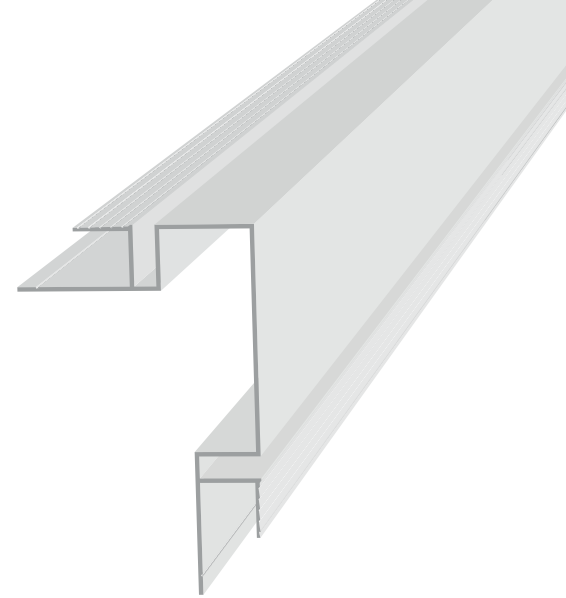
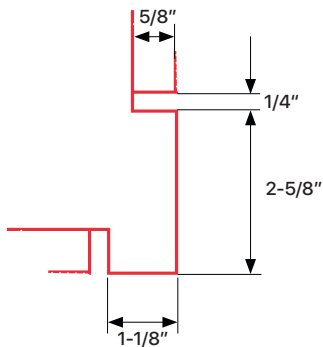
CRS

Corner Rectangular Square

PATENT PENDING

Design feature with asymmetrical corner for vertical and horizontal (for fur down applications) drywall corners. Can be used in conjunction with wrapped surface finishes such as fabric or vinyl wall coverings. Provides corner protection and creates the illusion of a floating corner. Ridged faces provided for tape & float.

Available in 10' length. 6063 T5 aluminum with standard clear anodized or primed finish. Anodized color and powder coating finishes available with custom color matching.

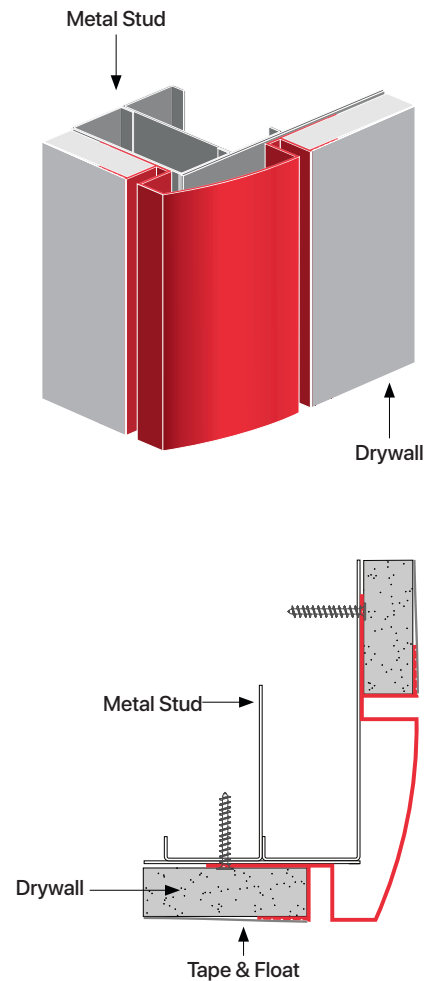
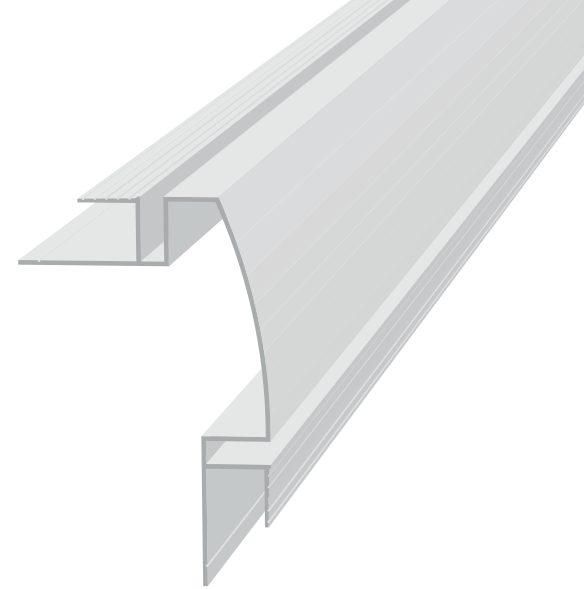
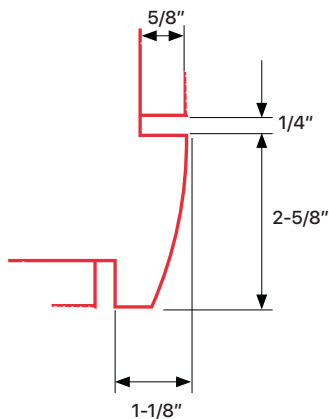


CRT

Corner Rectangular Tapered

Design feature with tapering asymmetrical corner for vertical and horizontal (for fur down applications) drywall corners. Can be used in conjunction with wrapped surface finishes such as fabric or vinyl wall coverings. Provides corner protection and creates the illusion of a floating corner. Ridged faces provided for tape & float.

Available in 10' length. 6063 T5 aluminum with standard clear anodized or primed finish. Anodized color and powder coating finishes available with custom color matching.



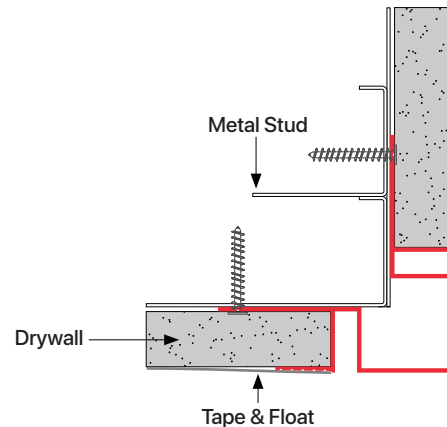
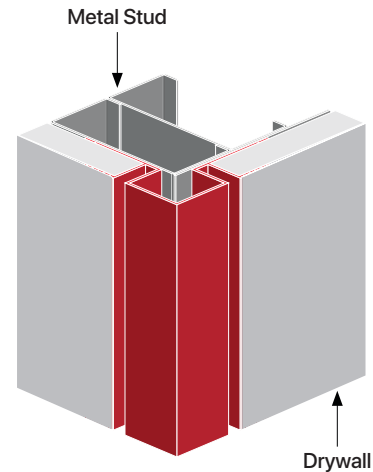
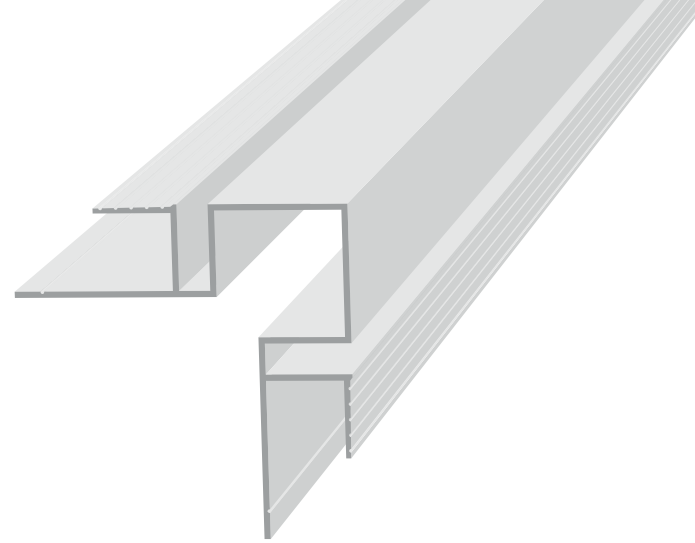
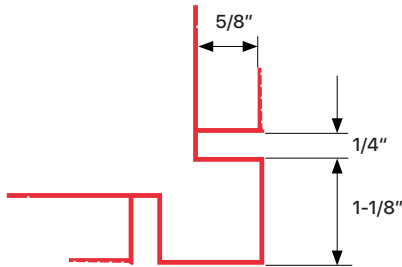
CSQ

Corner Square

PATENT NO. US D821,610 S

Design feature and finished edge for vertical and horizontal (for fur down applications) drywall corners. Can be used in conjunction with wrapped surface finishes such as fabric or vinyl wall coverings. Provides corner protection and creates the illusion of a floating corner. Ridged faces provided for tape & float.

Available in 10' length. 6063 T5 aluminum with standard clear anodized or primed finish. Anodized color and powder coating finishes available with custom color matching.

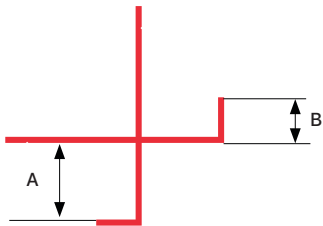


CXF

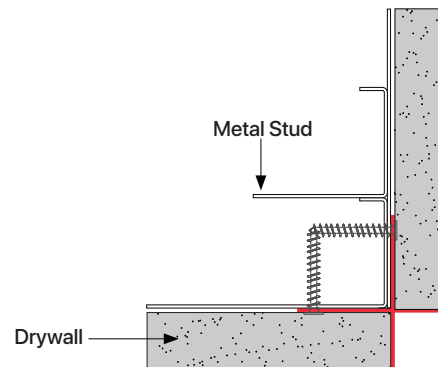
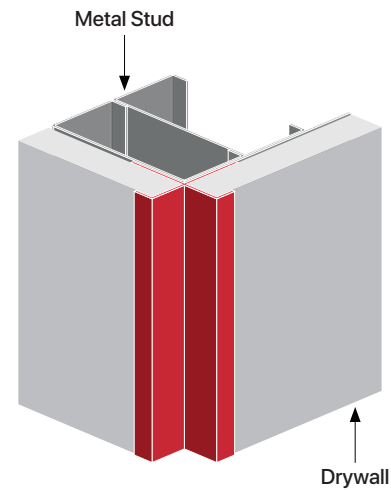
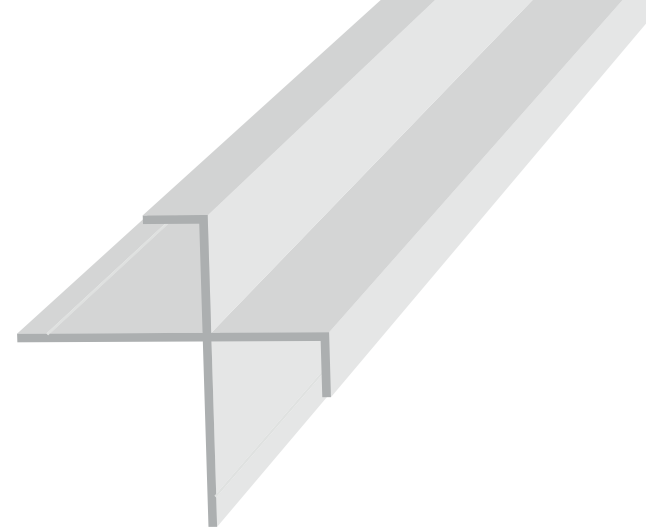
Corner X

Classic and clean corner profile with flange arms. Provides corner protection and beautiful design for vertical and horizontal drywall or panel corners. Can be used in conjunction with wrapped surface finishes such as fabric or vinyl wall coverings.

Available in 10' length. 6063 T5 aluminum with standard clear anodized or primed finish. Anodized color and powder coating finishes available with custom color matching.



ITEM ID	A	B
CXF-14	5/8"	1/4"
CXF-38	5/8"	3/8"
CXF-58	5/8"	5/8"
CXF-100	1"	3/8"
CXF-34-18	3/4"	1/8"
CXF-34-58	3/4"	5/8"
CXF-716-18	7/16"	1/8"

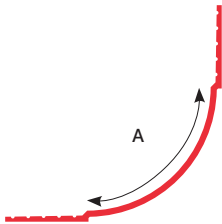


ICAC

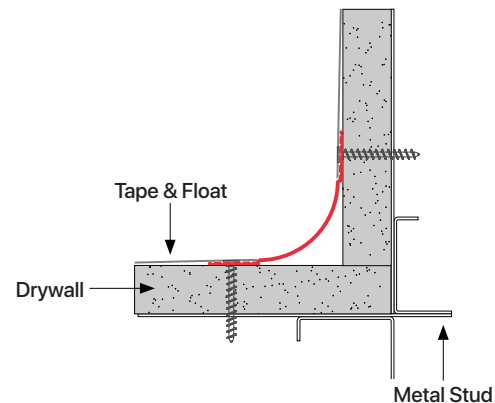
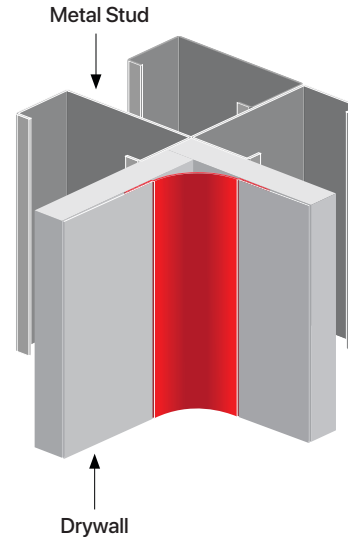
Inside Corner Arc

Coordinating inside corner for the CAC profile (page 34). Can be used vertically and horizontally in conjunction with drywall, panels, and wrapped surface finishes. Ridged faces for tape & float and pre-punched holes for easy install (hole placement may vary).

Available in 10' length. 6063 T5 aluminum with standard clear anodized or primed finish. Anodized color and powder coating finishes available with custom color matching.



ITEM ID	A
ICAC-100	1"
ICAC-200	2"
ICAC-300	3"

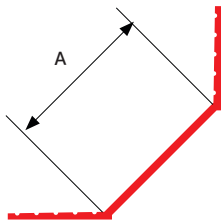


ICBV

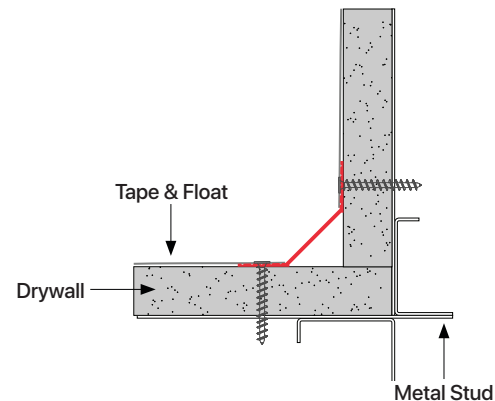
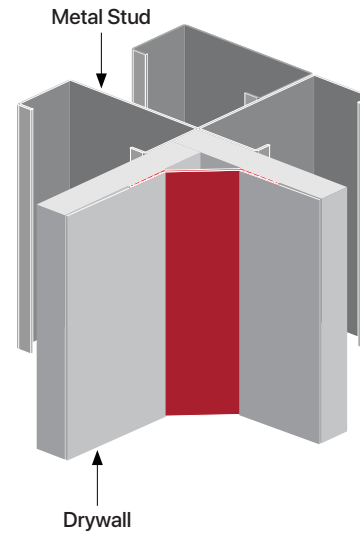
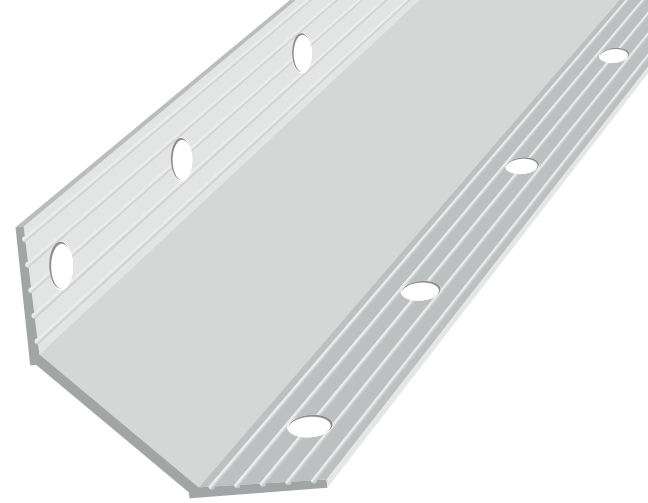
Inside Corner Bevel

Coordinating inside corner for the CBV profile (page 37). Can be used vertically and horizontally in conjunction with drywall, panels, and wrapped surface finishes. Ridged faces for tape & float and pre-punched holes for easy install (hole placement may vary).

Available in 10' length. 6063 T5 aluminum with standard clear anodized or primed finish. Anodized color and powder coating finishes available with custom color matching.



ITEM ID	A
ICBV-100	1"
ICBV-200	2"



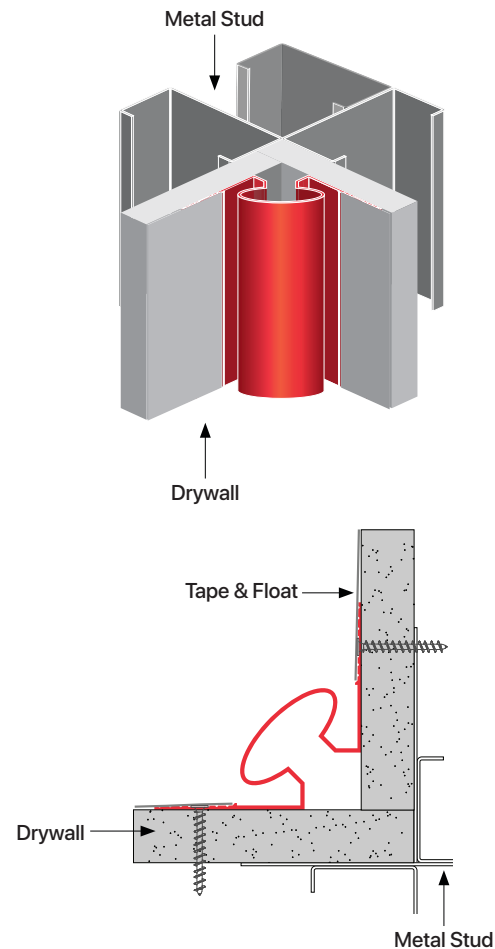
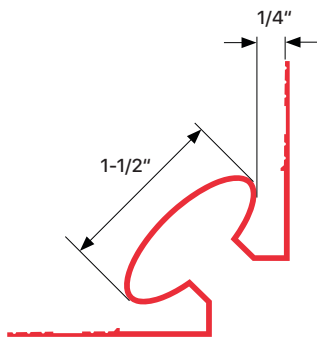
ICEL

Inside Corner Elliptical

PATENT NO. US D828, 582 S

Coordinating inside corner for the CEL profile (page 38). Can be used vertically and horizontally in conjunction with drywall, panels, and wrapped surface finishes. Ridged faces allow for tape & float.

Available in 10' length. 6063 T5 aluminum with standard clear anodized or primed finish. Anodized color and powder coating finishes available with custom color matching.



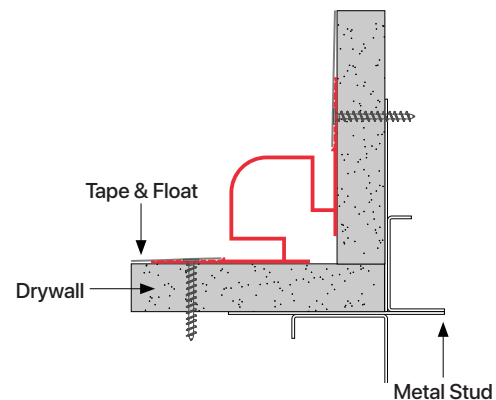
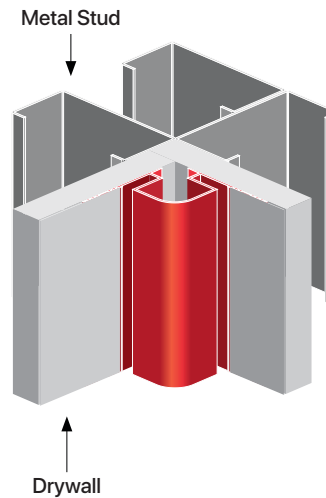
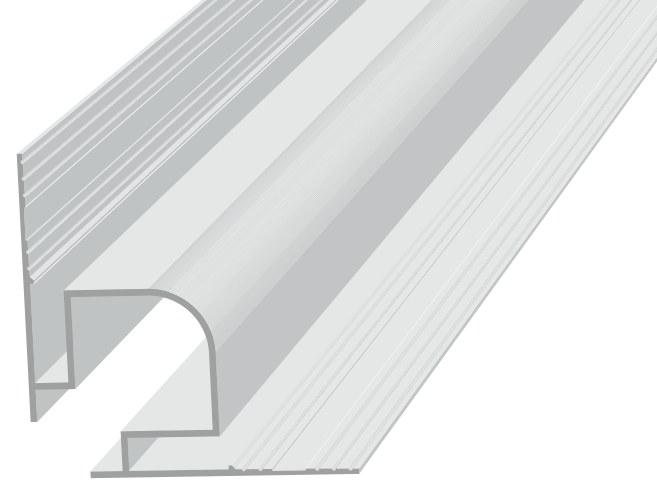
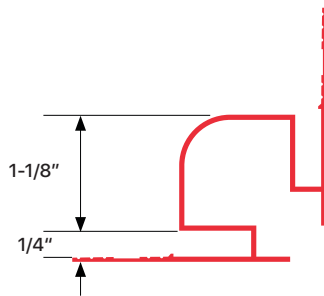
ICRA

Inside Corner Radiused

PATENT PENDING

Coordinating inside corner for the CRA profile (page 39). Can be used vertically and horizontally in conjunction with drywall, panels, and wrapped surface finishes. Ridged faces allow for tape & float.

Available in 10' length. 6063 T5 aluminum with standard clear anodized or primed finish. Anodized color and powder coating finishes available with custom color matching.



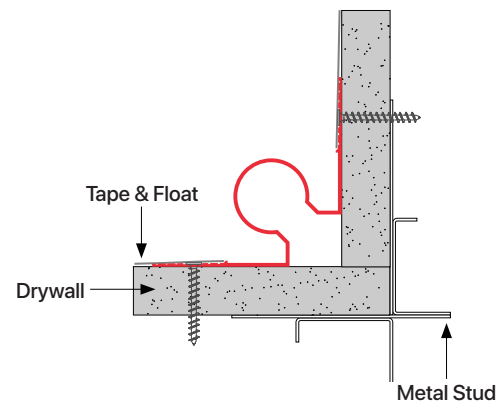
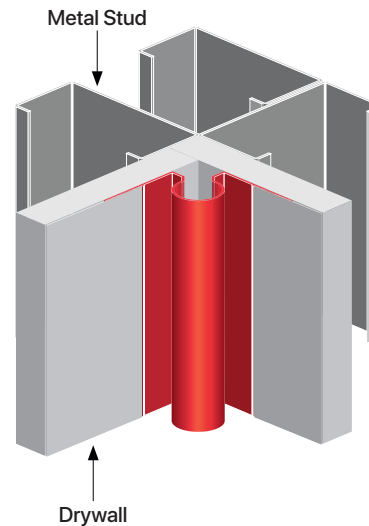
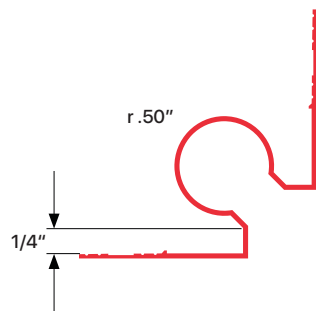
ICRD

Inside Corner Round

PATENT PENDING

Coordinating inside corner for the CRD profile (page 40). Can be used vertically and horizontally in conjunction with drywall, panels, and wrapped surface finishes. Ridged faces allow for tape & float.

Available in 10' length. 6063 T5 aluminum with standard clear anodized or primed finish. Anodized color and powder coating finishes available with custom color matching.

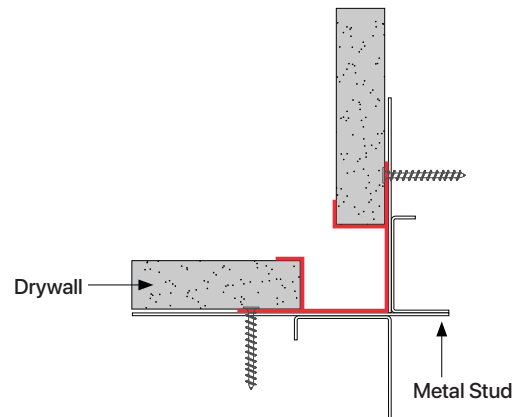
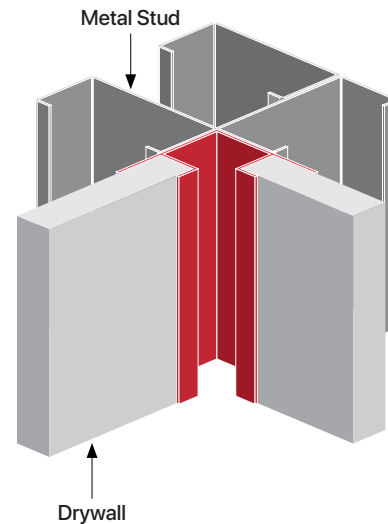
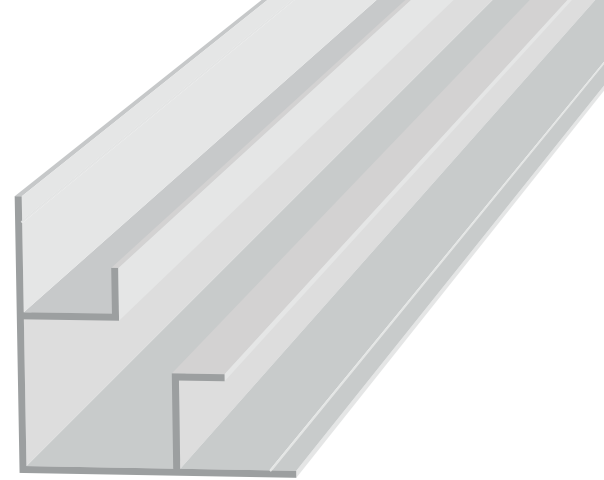
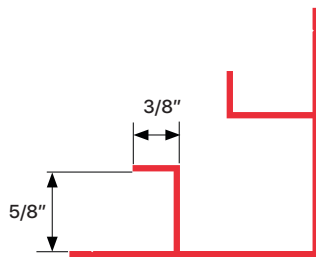


ICRF

Inside Corner Flange

Coordinating inside corner for the CXF profile (page 45). Can be used vertically and horizontally in conjunction with drywall, panels, and wrapped surface finishes.

Available in 10' length. 6063 T5 aluminum with standard clear anodized or primed finish. Anodized color and powder coating finishes available with custom color matching.



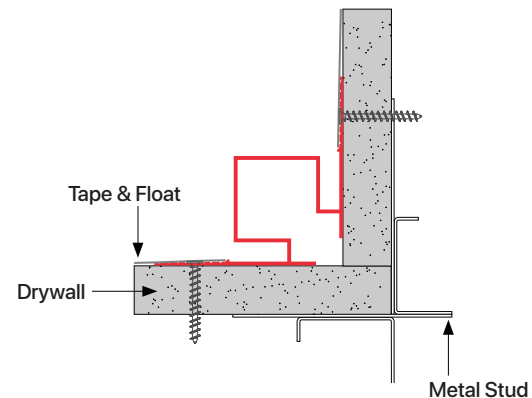
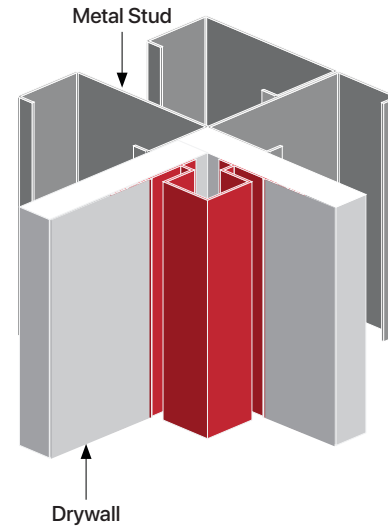
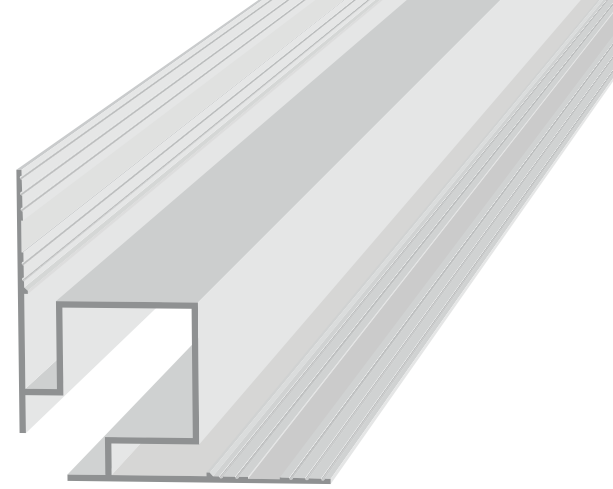
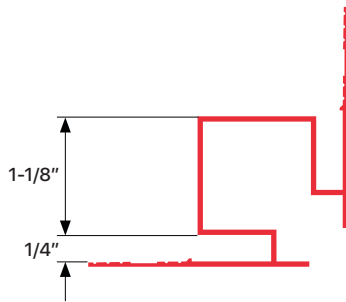
ICSQ

Inside Corner Square

PATENT PENDING

Coordinating inside corner for the CSQ profile (page 44). Can be used vertically and horizontally in conjunction with drywall, panels, and wrapped surface finishes. Ridged faces allow for tape & float.

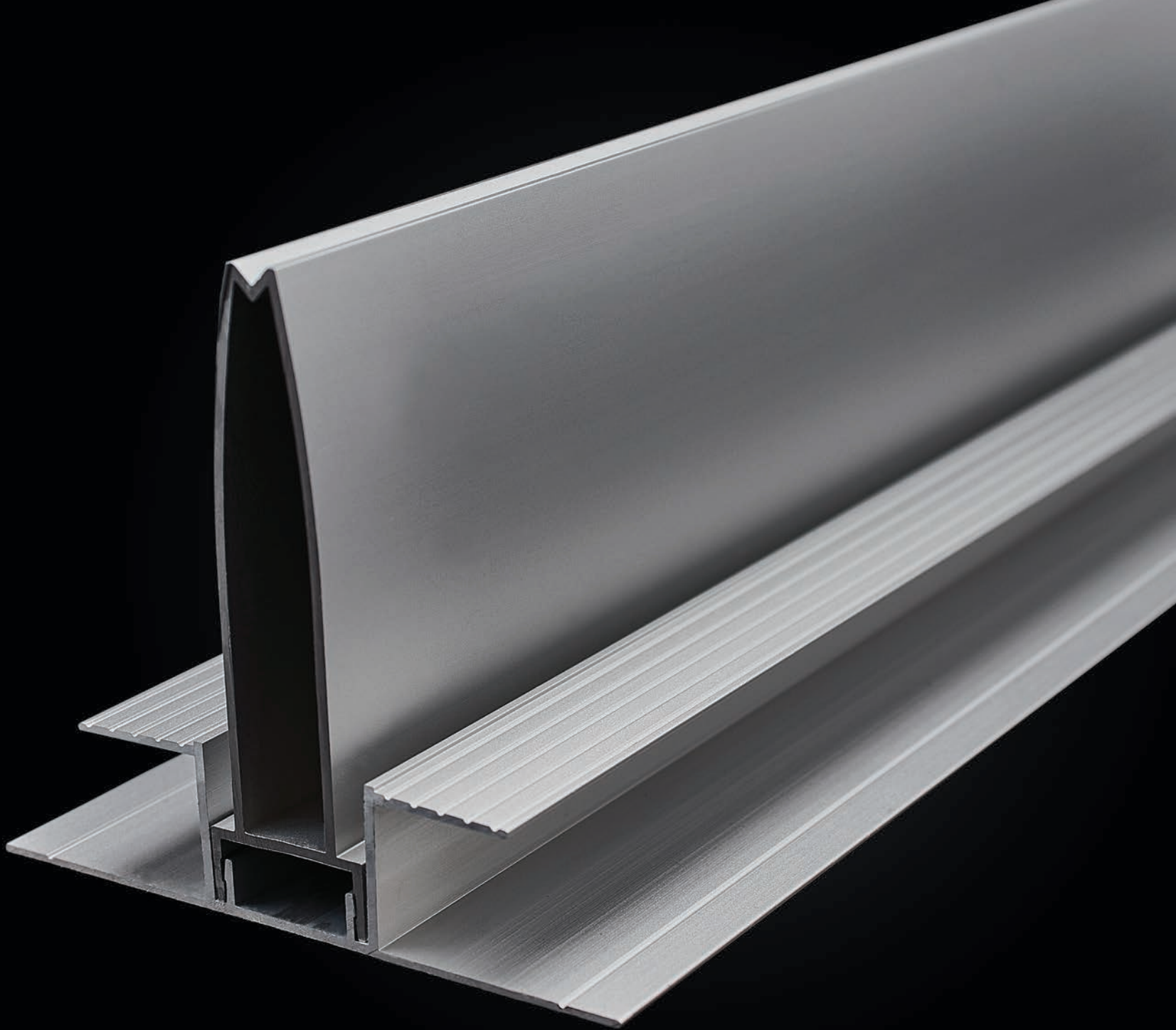
Available in 10' length. 6063 T5 aluminum with standard clear anodized or primed finish. Anodized color and powder coating finishes available with custom color matching.





2-Piece Systems

Exclusive line of channels and inserts that work together to give the visual impact your feature wall needs.



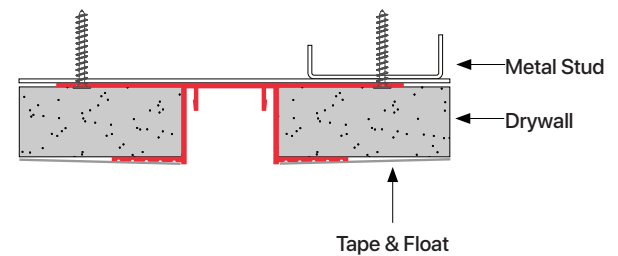
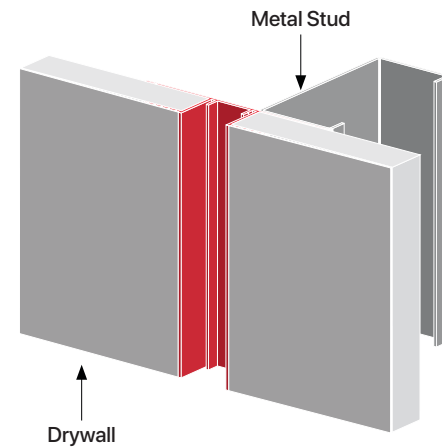
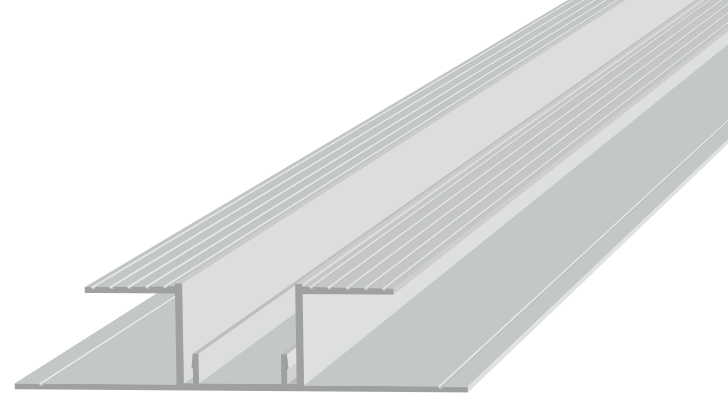
CHFS

Channel Flush Square

PATENT NO. US D834,727 S

Anchor channel for two-piece system. Ridged faces provided for taping and floating and allow insert piece to appear to stand alone. Can be used in conjunction with 5/8" drywall or panel installation and with wrapped surface finishes such as fabric or vinyl wall coverings. Used vertically or diagonally and in approved conditions, horizontally.

Available in 10' length. 6063 T5 aluminum with standard clear anodized or primed finish. Anodized color and powder coating finishes available with custom color matching.



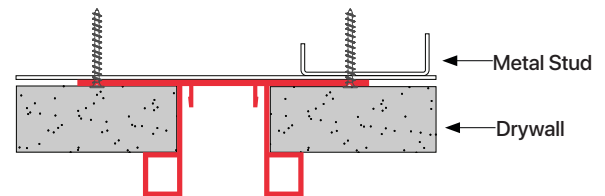
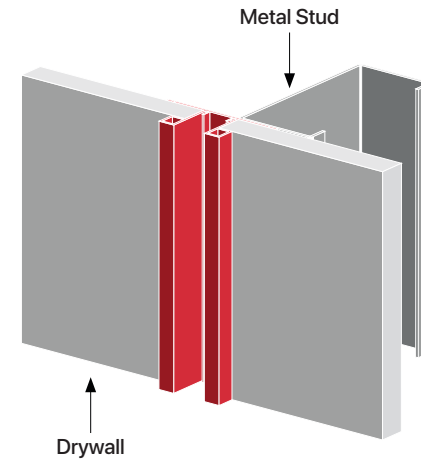
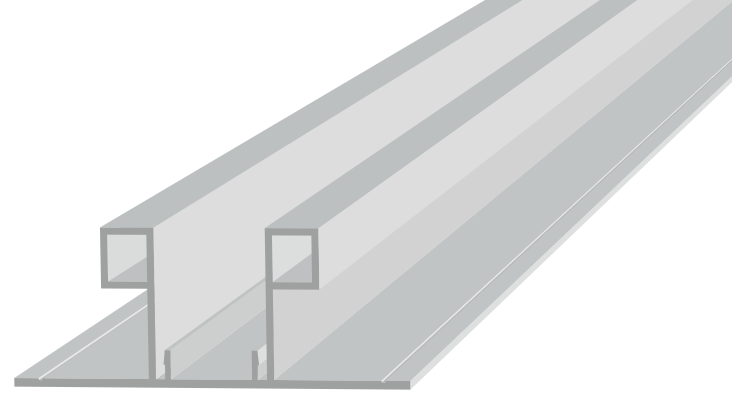
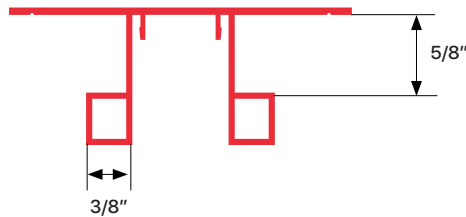
CHRS

Channel Rectangular Square

PATENT NO. US D835,299 S

Anchor channel for two-piece system. Classic square projections add visual impact when paired with an insert piece. Can be used in conjunction with 5/8" drywall, panel installation and with wrapped surface finishes such as fabric or vinyl wall coverings. Used vertically or diagonally and in approved conditions, horizontally.

Available in 10' length. 6063 T5 aluminum with standard clear anodized or primed finish. Anodized color and powder coating finishes available with custom color matching.



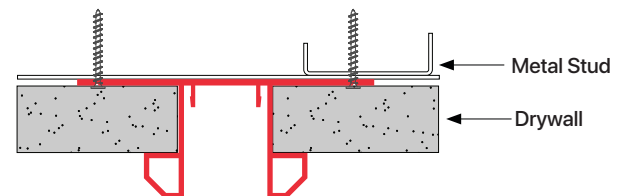
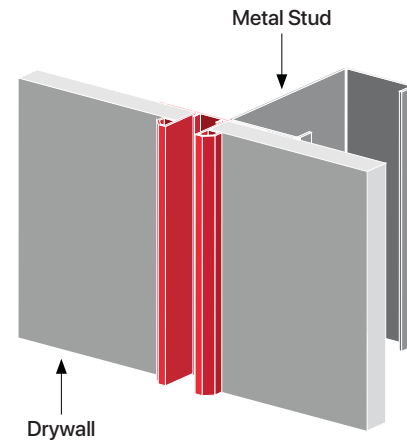
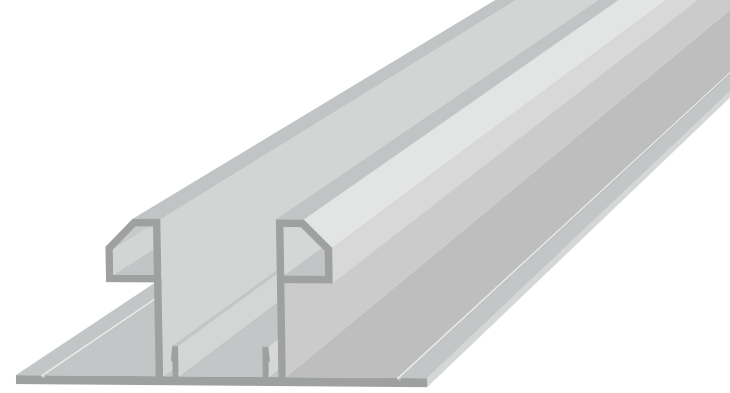
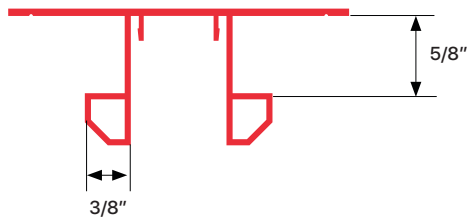
CHSA

Channel Square Angled

PATENT NO. US D834,728 S

Anchor channel for two-piece system. Angled detail adds a unique touch to a classic look. Can be used in conjunction with 5/8" drywall, panel installation and with wrapped surface finishes such as fabric or vinyl wall coverings. Used vertically or diagonally and in approved conditions, horizontally.

Available in 10' length. 6063 T5 aluminum with standard clear anodized or primed finish. Anodized color and powder coating finishes available with custom color matching.



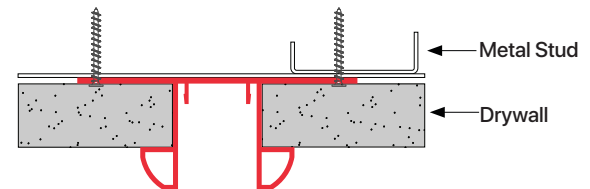
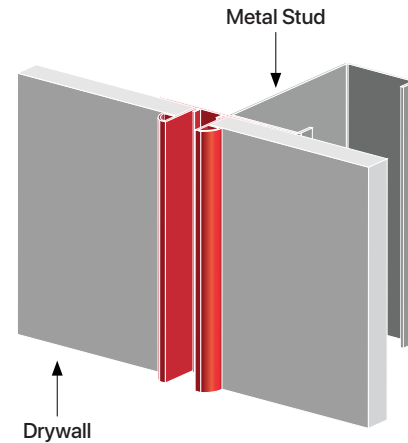
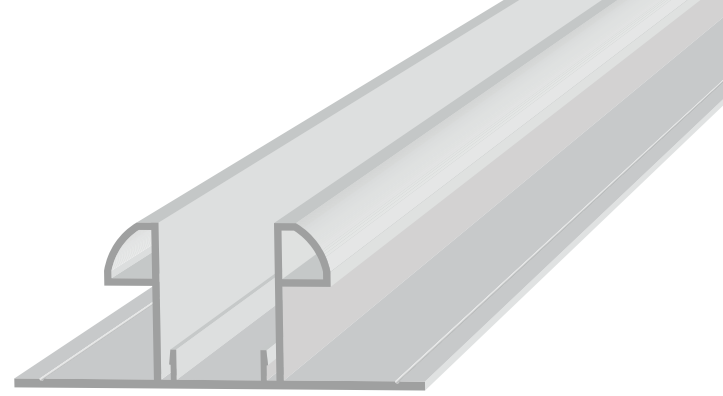
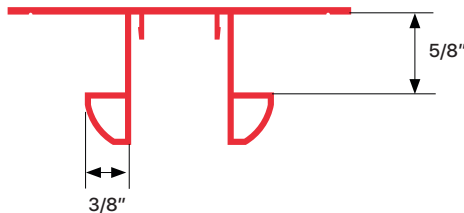
CHST

Channel Square Tapered

PATENT NO. US D822,852 S

Anchor channel for two-piece system. Ridged faces provided for taping and floating and unique tapered square edges create a dynamic look when paired with an insert piece. Can be used in conjunction with 5/8" drywall, panel installation and with wrapped surface finishes such as fabric or vinyl wall coverings. Used vertically or diagonally and in approved conditions, horizontally.

Available in 10' length. 6063 T5 aluminum with standard clear anodized or primed finish. Anodized color and powder coating finishes available with custom color matching.



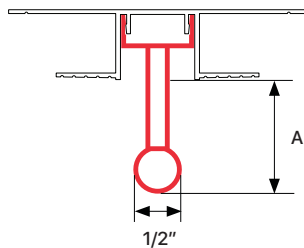
IBRR

Insert Blade Rectangular Round

PATENT PENDING

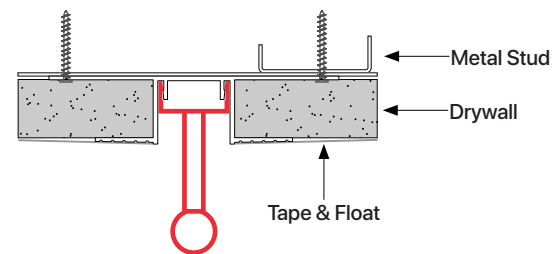
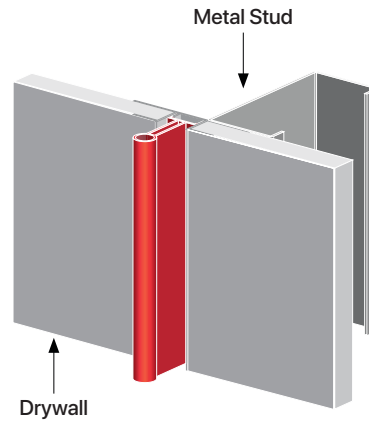
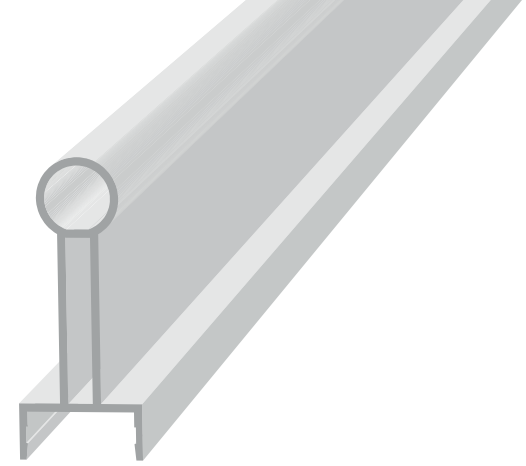
Paired with a Channel Reveal, this unique blade projection creates an attractive look in any space. Ridged faces provided for taping and floating with drywall installation. Can also be used in conjunction with panels and wrapped surface finishes such as fabric or vinyl wall coverings. Used vertically or diagonally.

Available in 10' length. 6063 T5 aluminum with standard clear anodized or primed finish. Anodized color and powder coating finishes available with custom color matching.



ITEM ID	A
IBRR-100	1"
IBRR-200	2"
IBRR-300	3"

Can be used with other channels.



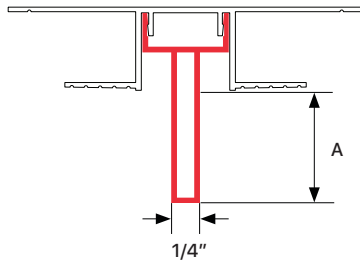
IBRS

Insert Blade Rectangular Square

PATENT PENDING

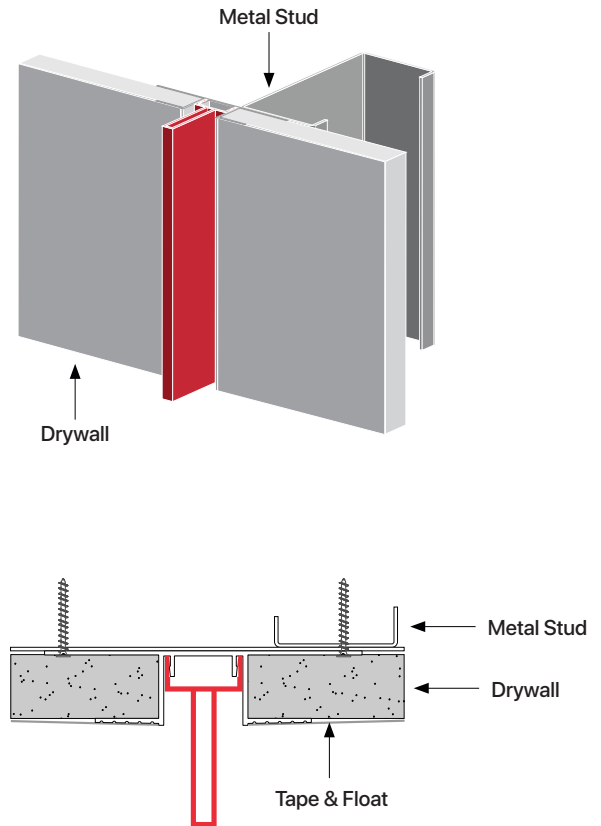
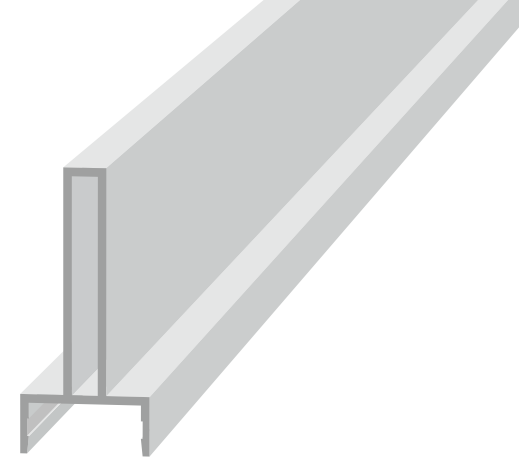
Paired with a Channel Reveal, this blade projection with reveals adds refinement and class. Ridged faces provided for taping and floating with drywall installation. Can also be used in conjunction with panels and wrapped surface finishes such as fabric or vinyl wall coverings. Used vertically or diagonally.

Available in 10' length. 6063 T5 aluminum with standard clear anodized or primed finish. Anodized color and powder coating finishes available with custom color matching.



ITEM ID	A
IBRS-100	1"
IBRS-200	2"
IBRS-300	3"

Can be used with other channels.



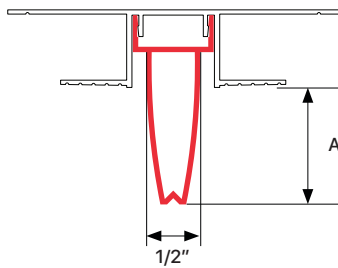
IBRT

Insert Blade Rectangular Tapered

PATENT PENDING

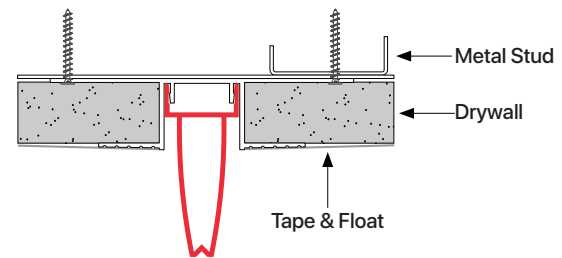
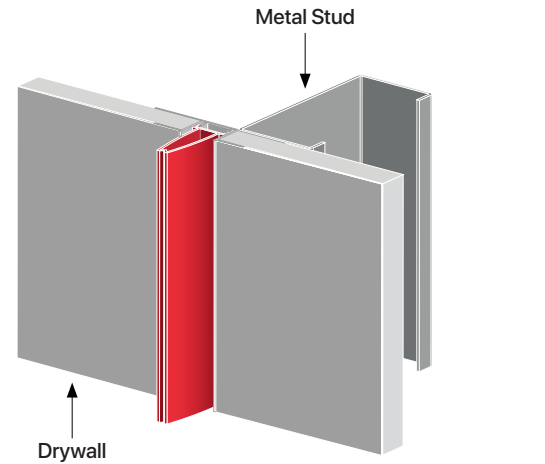
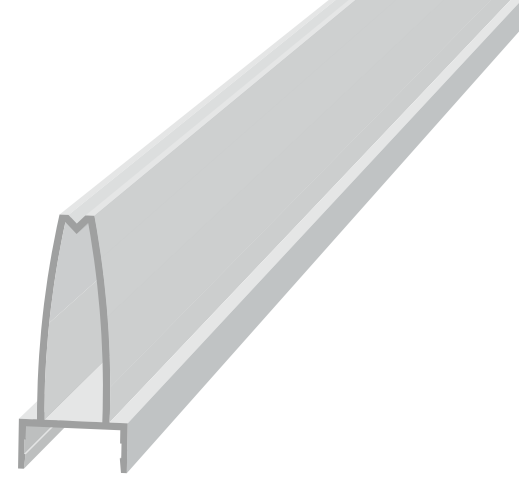
Paired with a Channel Reveal, this exclusive projection creates an impressive look with a detailed notch blade. Ridged faces provided for taping and floating with drywall installation. Can also be used in conjunction with panels and wrapped surface finishes such as fabric or vinyl wall coverings. Used vertically or diagonally.

Available in 10' length. 6063 T5 aluminum with standard clear anodized or primed finish. Anodized color and powder coating finishes available with custom color matching.



ITEM ID	A
IBRT-100	1"
IBRT-200	2"
IBRT-300	3"

Can be used with other channels.

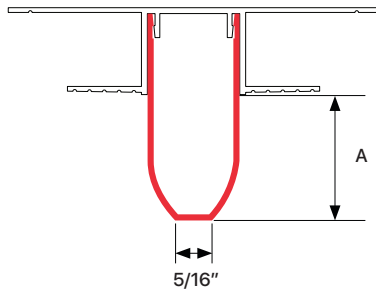


IPRS

Insert Projecting Radiused Square

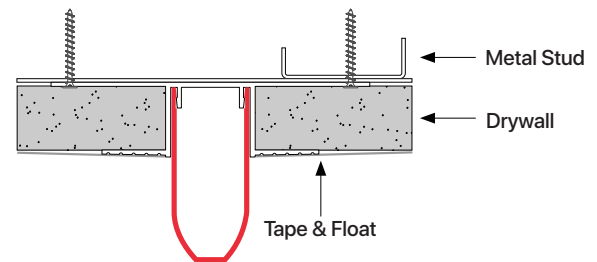
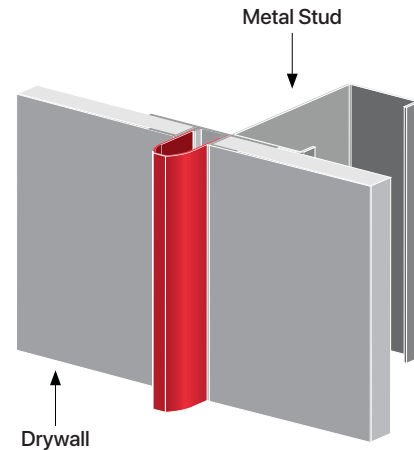
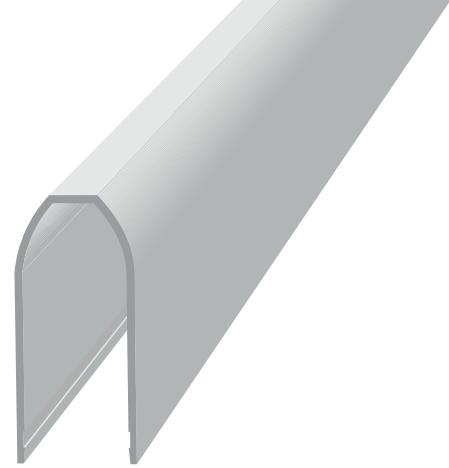
Paired with a Channel Reveal, this subtle projection creates a classic look in drywall or panel installation. Can also be used in conjunction with wrapped surface finishes such as fabric or vinyl wall coverings. Ridged faces provided for tape & float. Used vertically or diagonally.

Available in 10' length. 6063 T5 aluminum with standard clear anodized or primed finish. Anodized color and powder coating finishes available with custom color matching.



ITEM ID	A
IPRS-0	0"
IPRS-100	1"
IPRS-200	2"
IPRS-300	3"

Can be used with other channels.

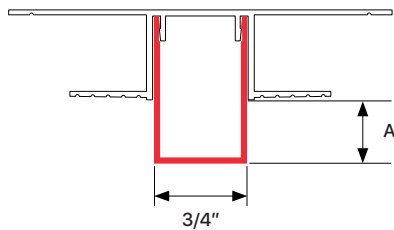


IRSQ

Insert Rectangular Square

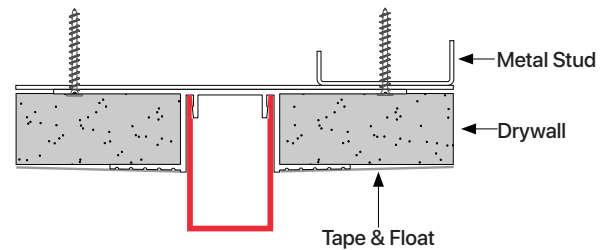
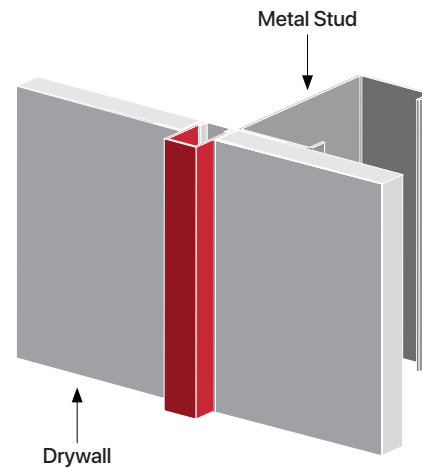
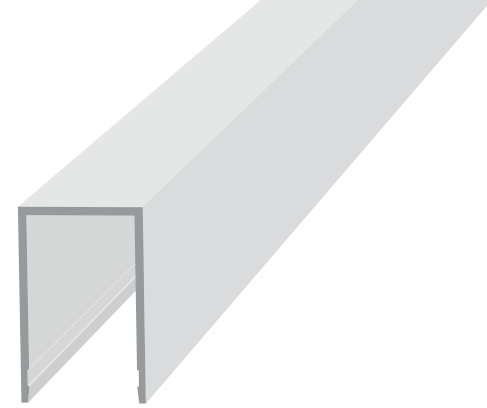
Paired with a Channel Reveal, this classic projection creates a modern look in drywall or panel installation. Can also be used in conjunction with wrapped surface finishes such as fabric or vinyl wall coverings. Ridged faces provided for tape & float. Used vertically or diagonally.

Available in 10' length. 6063 T5 aluminum with standard clear anodized or primed finish. Anodized color and powder coating finishes available with custom color matching.



ITEM ID	A
IRSQ-0	0"
IRSQ-100	1"
IRSQ-200	2"
IRSQ-300	3"

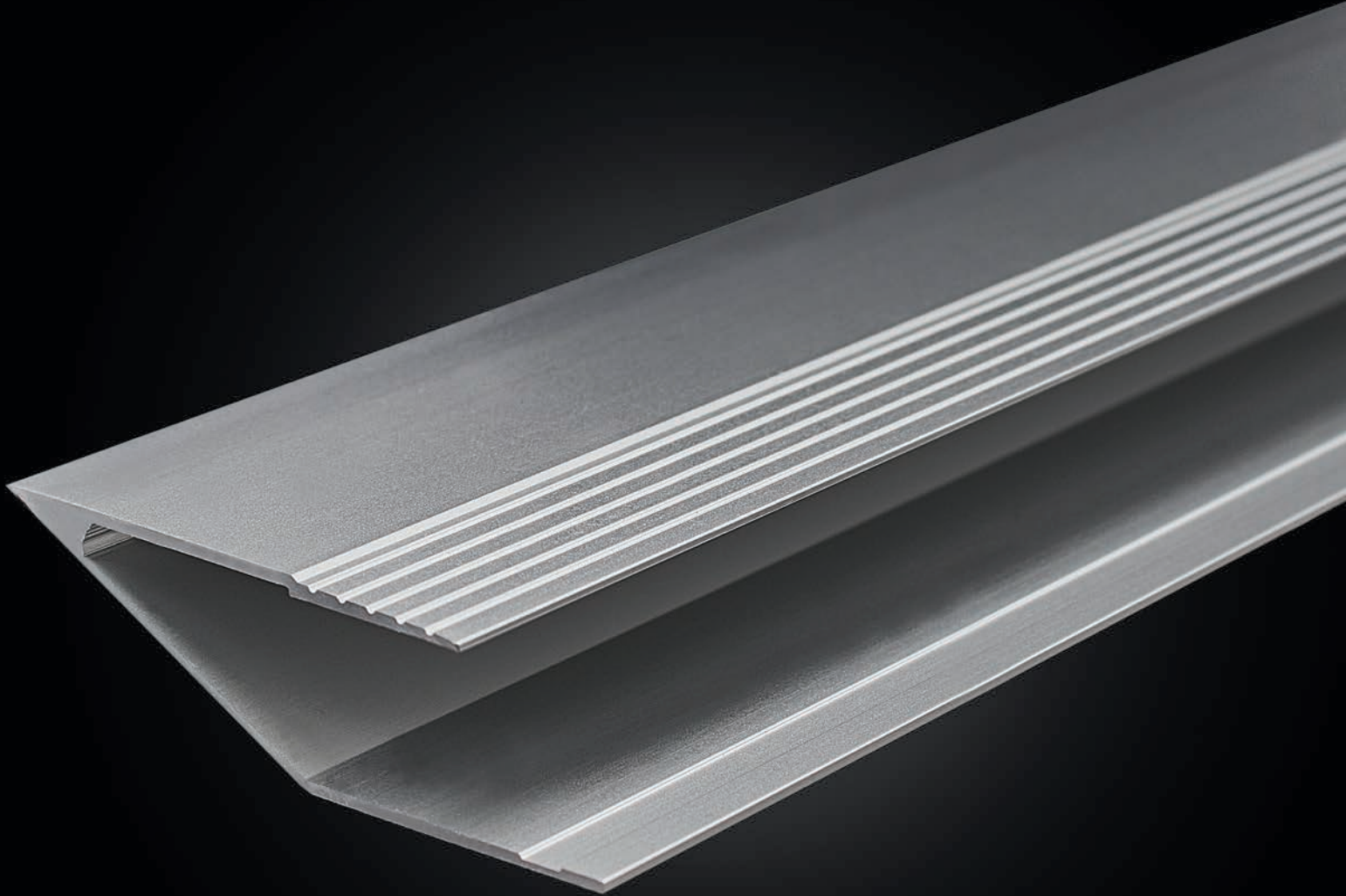
Can be used with other channels.





Moldings & Millwork

Contemporary and versatile designs for any application.

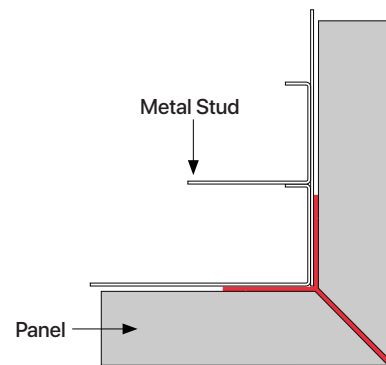
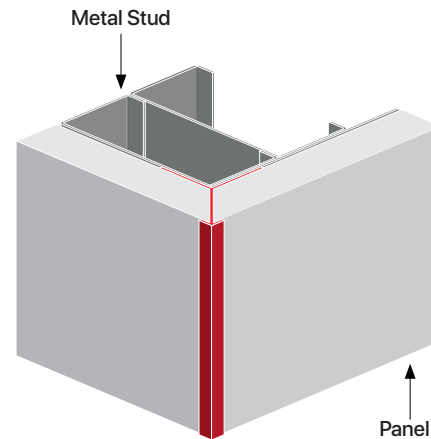
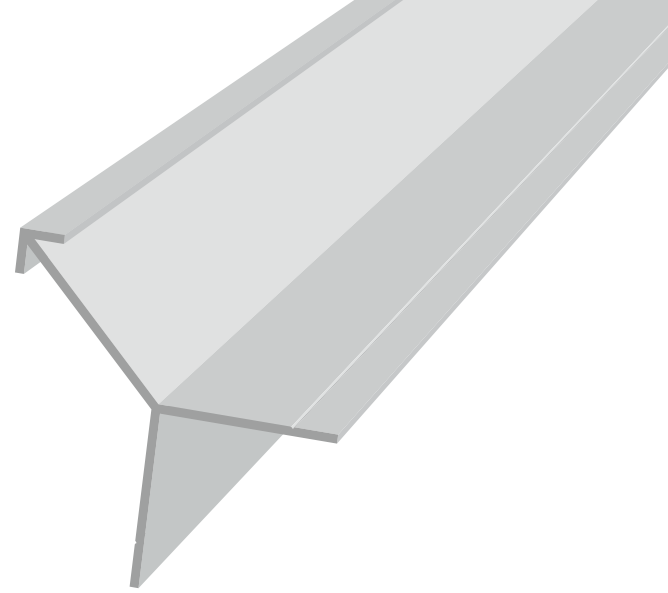
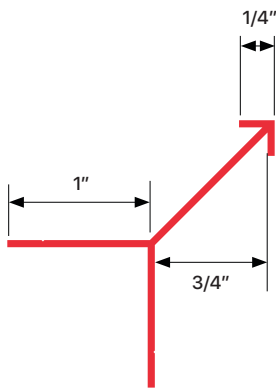


MCK

Corner Key

Simple and minimalist corner profile designed to be used with millwork and panel applications. Provides corner protection and simple design for vertical and horizontal drywall or panel corners. Can be used in conjunction with wrapped surface finishes such as fabric or vinyl wall coverings.

Available in 10' length. 6063 T5 aluminum with standard clear anodized or primed finish. Anodized color and powder coating finishes available with custom color matching.

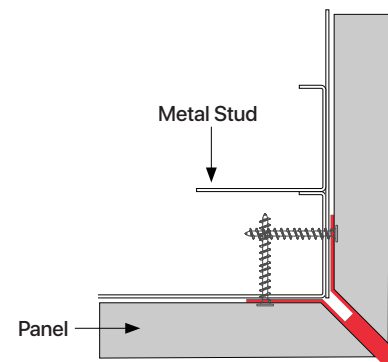
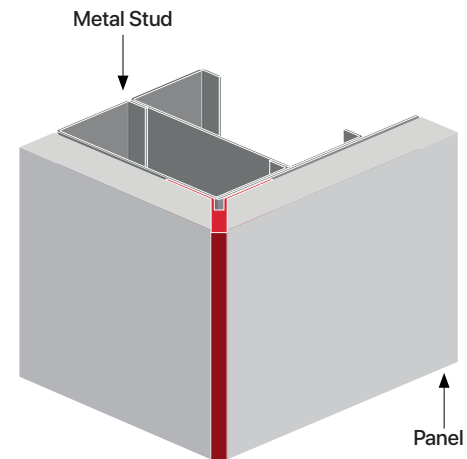
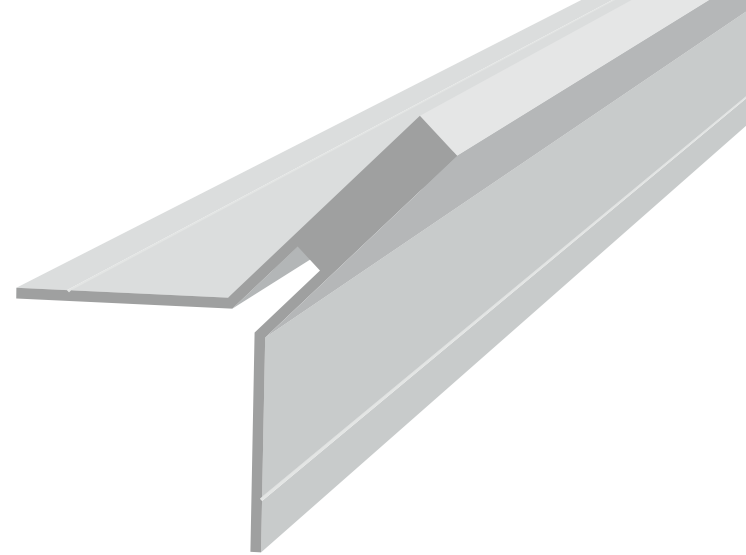
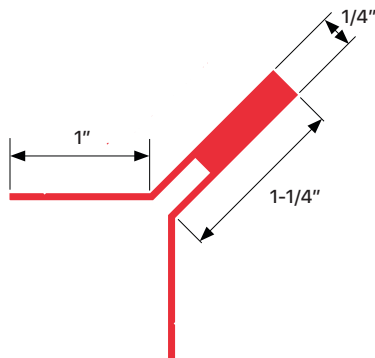


MCS

Corner Square Mold

Minimalistic linear corner profile. Provides corner protection and sleek design for millwork or panel corners. Can be used in conjunction with wrapped surface finishes such as fabric or vinyl wall coverings.

Available in 10' length. 6063 T5 aluminum with standard clear anodized or primed finish. Anodized color and powder coating finishes available with custom color matching.

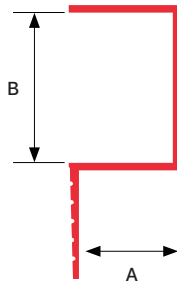


MCR

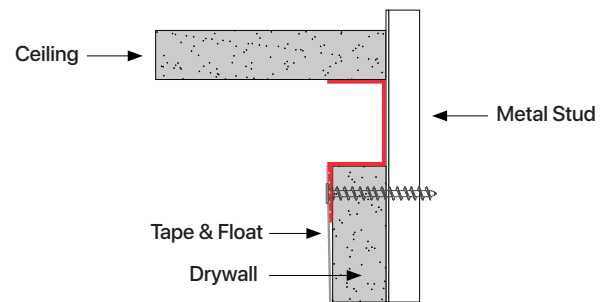
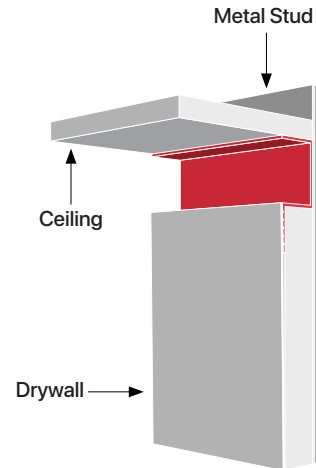
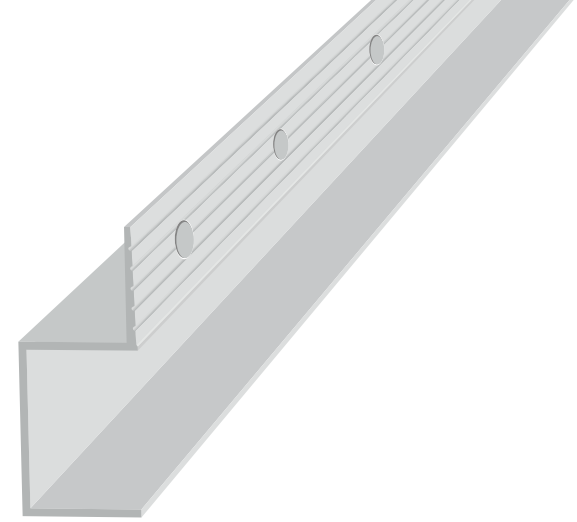
C Mold

Clean finish design with reveal detail for drywall terminations at ceilings, windows, doors and other material transitions. Can be installed horizontally or vertically. Can be used in conjunction with 5/8" drywall, panel installation and with wrapped surface finishes such as fabric or vinyl wall coverings. Ridged faces for tape & float and pre-punched holes for easy install (hole placement may vary).

Available in 10' length. 6063 T5 aluminum with standard clear anodized or primed finish. Anodized color and powder coating finishes available with custom color matching.



ITEM ID	A	B
MCR5-14	1/2"	1/4"
MCR5-12	1/2"	1/2"
MCR5-100	1/2"	1"
MCR5-200	1/2"	2"
MCR-12	5/8"	1/2"
MCR-58	5/8"	5/8"

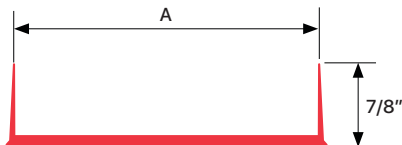


MEC

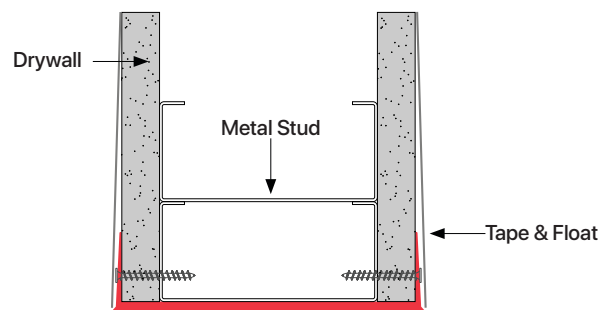
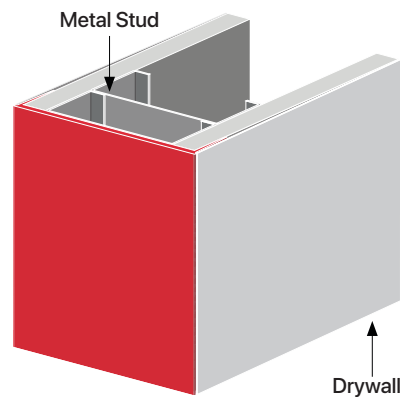
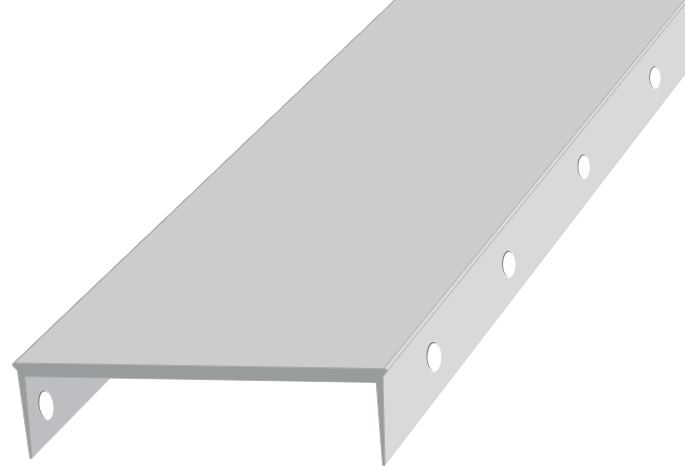
End Cap

Classic termination profile that provides a clean end for a wall, partition or cased opening. Ridged faces for tape & float and pre-punched holes for easy install (hole placement may vary). Can be used in conjunction with drywall, panel installation and wrapped surface finishes such as fabric or vinyl wall coverings.

Available in 10' length. 6063 T5 aluminum with standard clear anodized or primed finish. Anodized color and powder coating finishes available with custom color matching.



ITEM ID	A
MEC-334	3-3/4"
MEC-478	4-7/8"

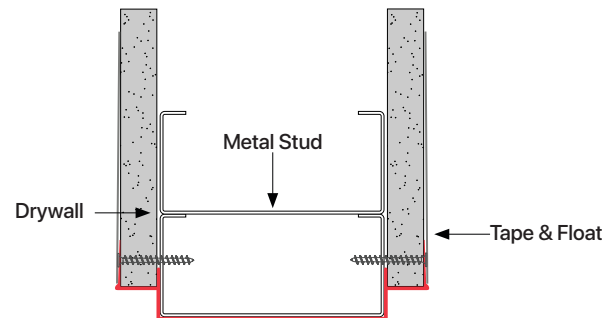
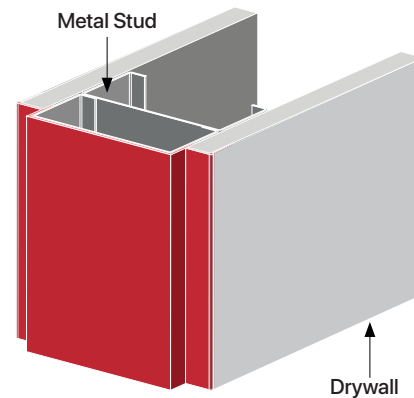
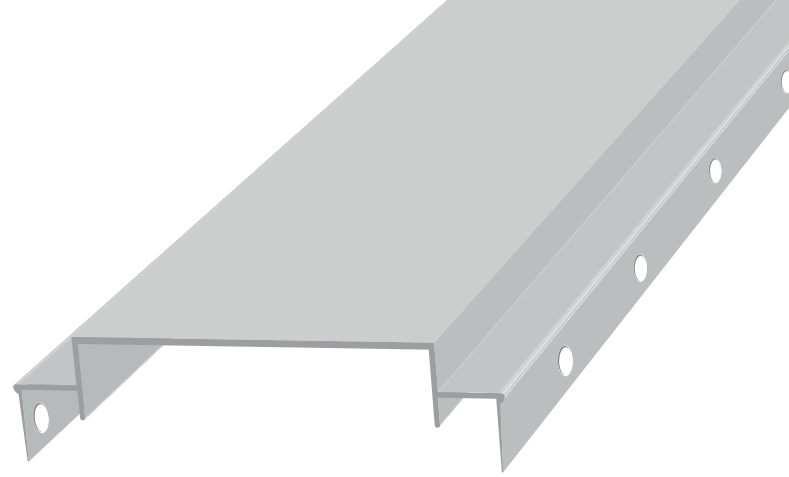
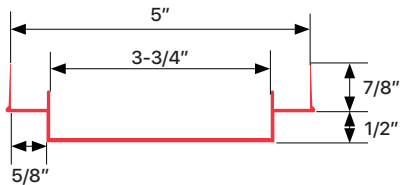


MECS

End Cap Step

Stepped-termination profile that provides clean but distinct end for a wall, partition or cased opening. Ridged faces for tape & float and pre-punched holes for easy install (hole placement may vary). Can be used in conjunction with drywall, panel installation and wrapped surface finishes such as fabric or vinyl wall coverings.

Available in 10' length. 6063 T5 aluminum with standard clear anodized or primed finish. Anodized color and powder coating finishes available with custom color matching.

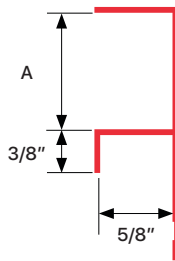


MFR

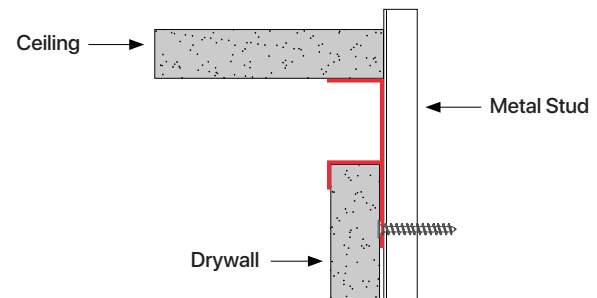
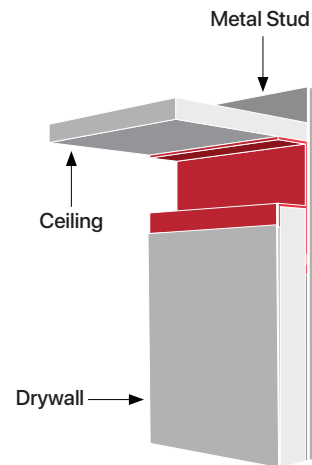
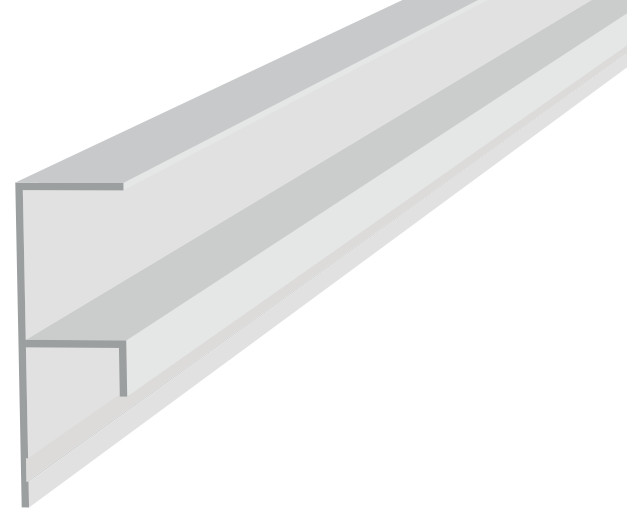
F Mold

Clean finish design with reveal detail for drywall terminations at ceilings, windows, doors and other material transitions. Can be installed horizontally or vertically. Can be used in conjunction with 5/8" drywall, panel installation and with wrapped surface finishes such as fabric or vinyl wall coverings.

Available in 10' length. 6063 T5 aluminum with standard clear anodized or primed finish. Anodized color and powder coating finishes available with custom color matching.



ITEM ID	A
MFR-12	1/2"
MFR-100	1"
MFR-200	2"

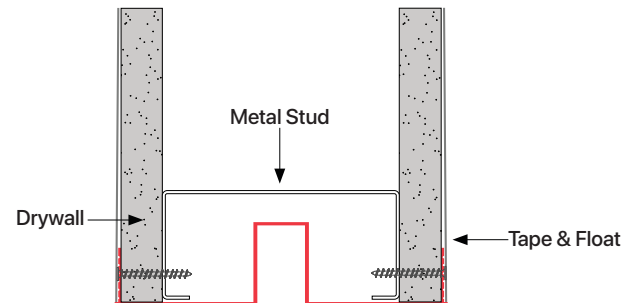
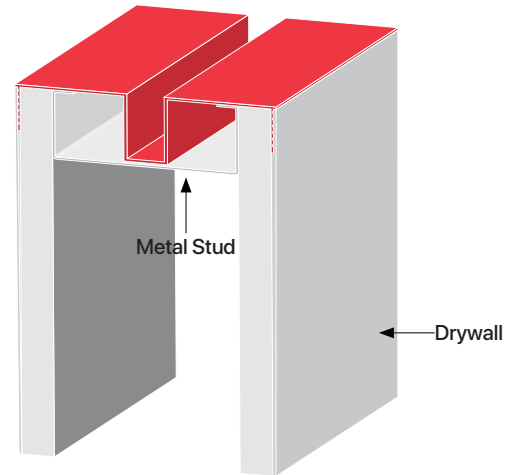
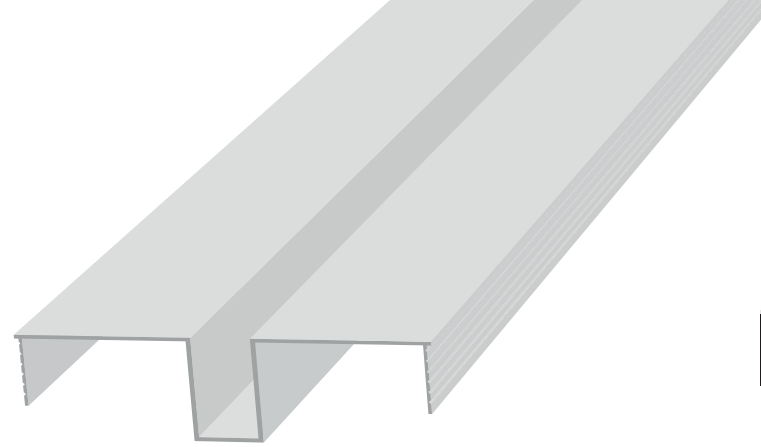
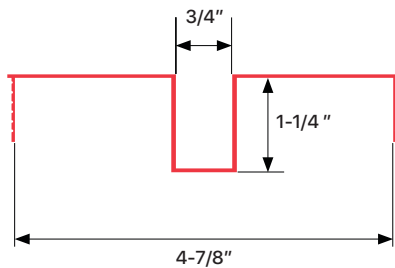


MGT

Glass Track

Transition profile for intersections of drywall and glass. Ridged face provided for tape and float. Can be used in conjunction with drywall, panel installation and wrapped surface finishes such as fabric or vinyl wall coverings.

Available in 10' length. 6063 T5 aluminum with standard clear anodized or primed finish. Anodized color and powder coating finishes available with custom color matching.

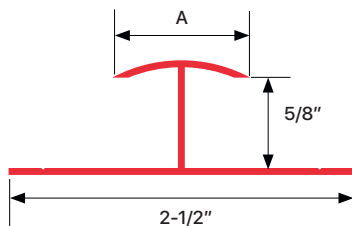


MHC

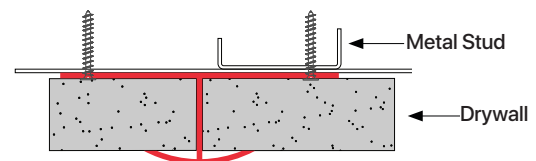
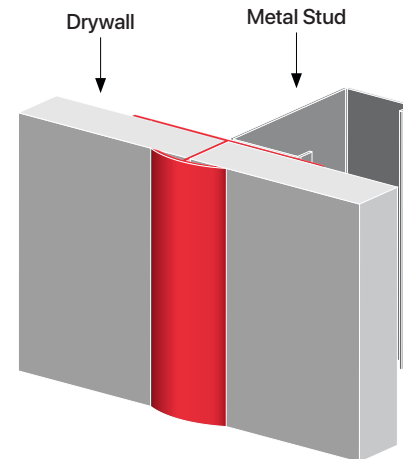
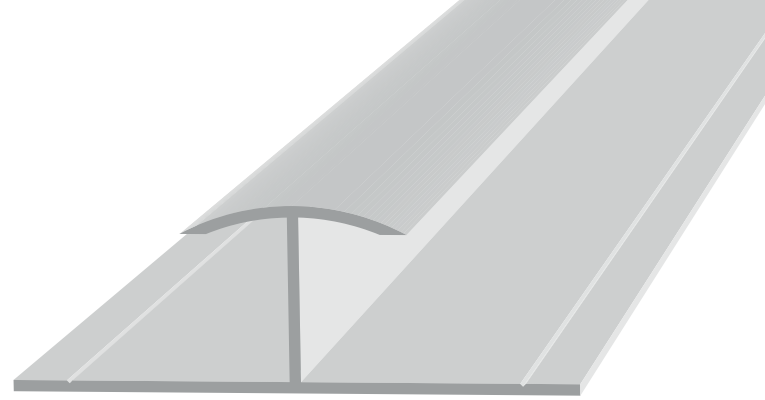
H Mold Curve

Create a curved seam line on any wall! Can be used in conjunction with drywall, panel installation and wrapped surface finishes such as fabric or vinyl wall coverings.

Available in 10' length. 6063 T5 aluminum with standard clear anodized or primed finish. Anodized color and powder coating finishes available with custom color matching.



ITEM ID	A
MHC-12	1/2"
MHC-100	1"

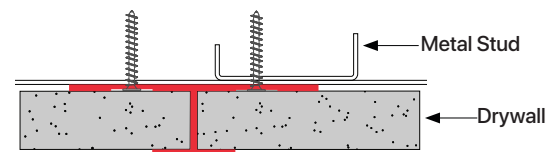
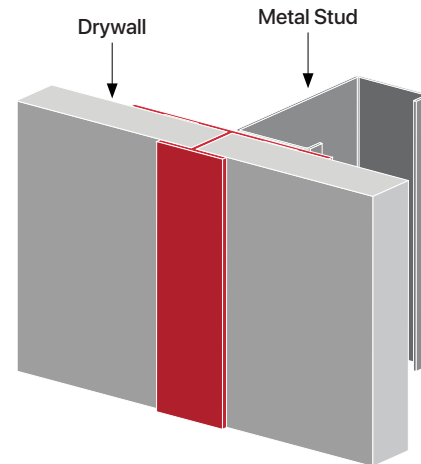
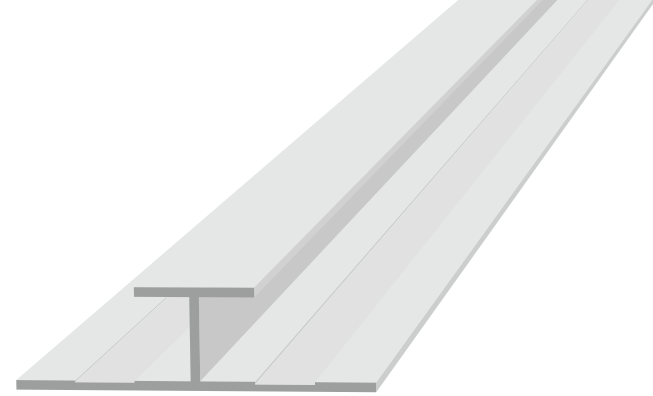
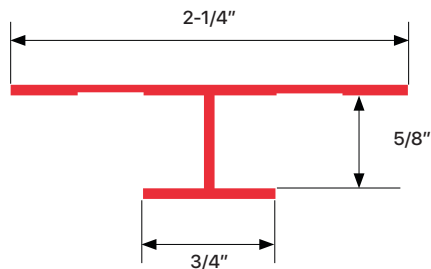


MHF

H Mold Flat

Add a modern seam line to any wall. Can be used in conjunction with drywall, panel installation and wrapped surface finishes such as fabric or vinyl wall coverings.

Available in 10' length. 6063 T5 aluminum with standard clear anodized or primed finish. Anodized color and powder coating finishes available with custom color matching.



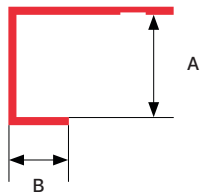
MJR

J Mold

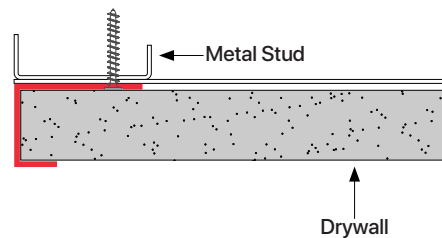
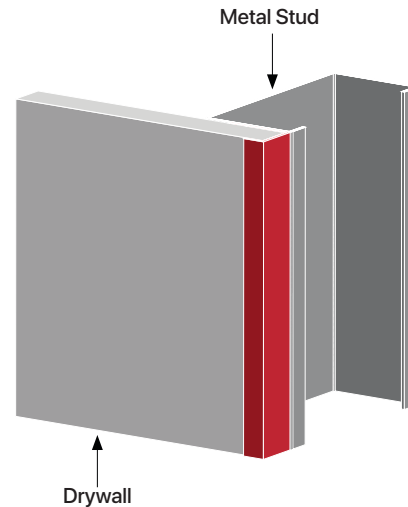
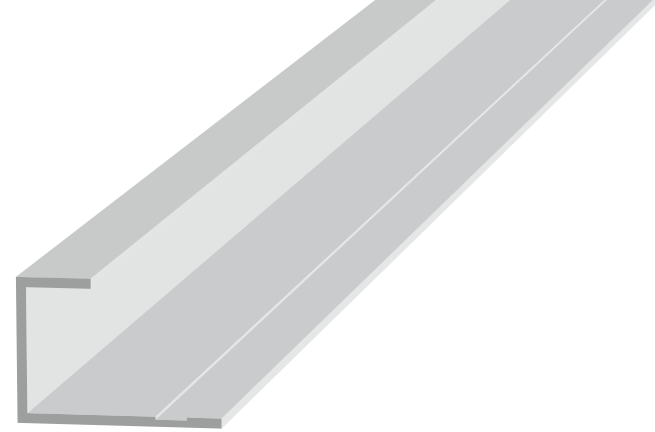
Classic and clean design provides smooth finish at edges of drywall or at material transitions. Can be installed horizontally or vertically. Can be used in conjunction with 5/8" drywall, panel installation and with wrapped surface finishes such as fabric or vinyl wall coverings.

Available in 10' length. 6063 T5 aluminum with standard clear anodized or primed finish. Anodized color and powder coating finishes available with custom color matching.

*Custom sizes available



ITEM ID	A	B
MJR-14	5/8"	1/4"
MJR-38	5/8"	3/8"
MJR-12	5/8"	1/2"
MJR-716-38	7/16"	3/8"
MJR-34-58	3/4"	5/8"

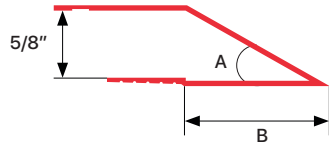


MKE

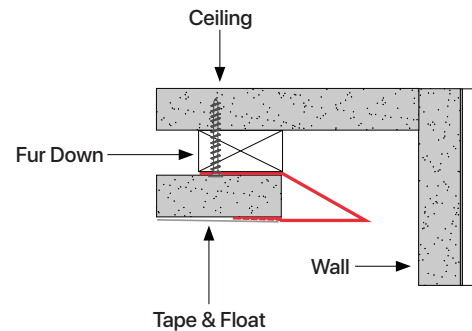
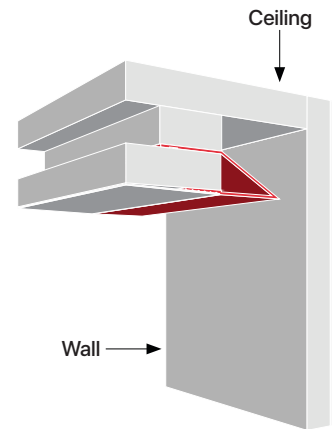
Knife Edge

Creates a sharp knife edge at ceiling drywall terminations. Clean, crisp look creating unique ceiling design and allows for LED lighting or shadow line. Adjust fur down placement for addition of LED light strips.

Available in 10' length. 6063 T5 aluminum with standard clear anodized or primed finish. Anodized color and powder coating finishes available with custom color matching.



ITEM ID	A	B
MKE-30	30°	1-3/8"
MKE-45	45°	3/4"

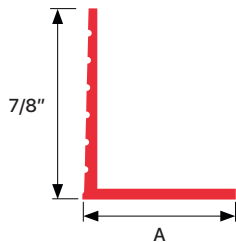


MLR

L Mold

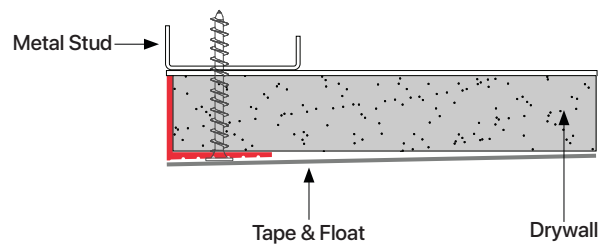
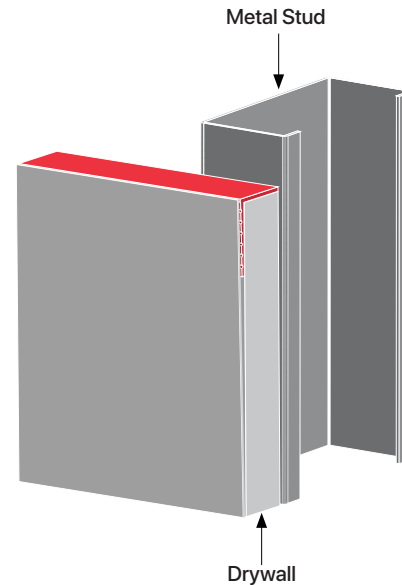
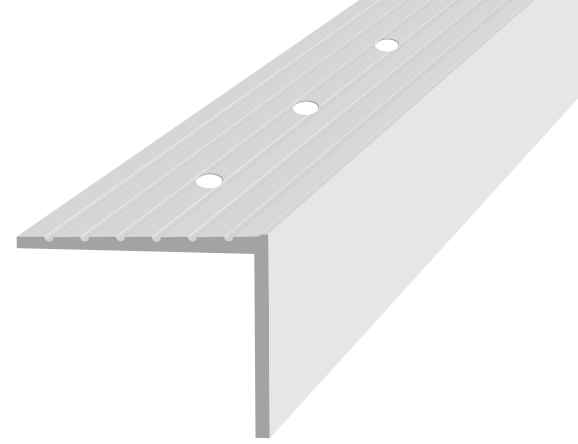
Classic and versatile L profile for use at drywall edges and transitions. Can be used horizontally, vertically or diagonally. Ridged face for tape & float and pre-punched holes for easy install (hole placement may vary).

Available in 10' length. 6063 T5 aluminum with standard clear anodized or primed finish. Anodized color and powder coating finishes available with custom color matching.



ITEM ID	A
MLR-12	1/2"
MLR-58	5/8"
MLR-100	1"
MLR-200	2"
MLR-250	2-1/2"
MLR-300	3"

XtremeInterior™ profiles are subject to alterations with or without notice.

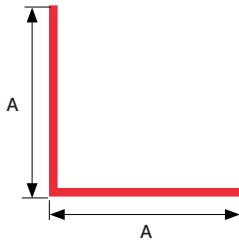


MLU

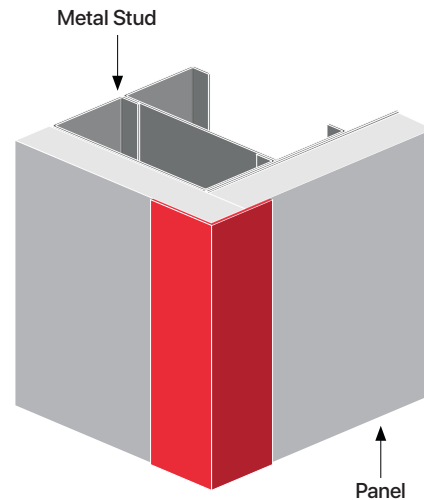
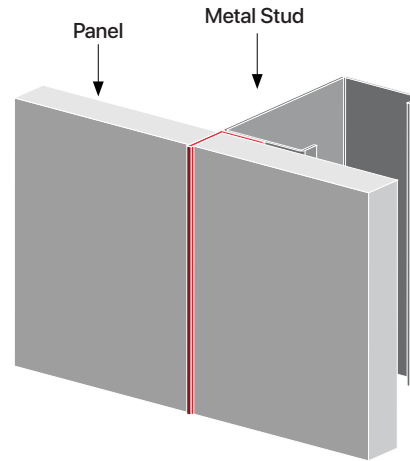
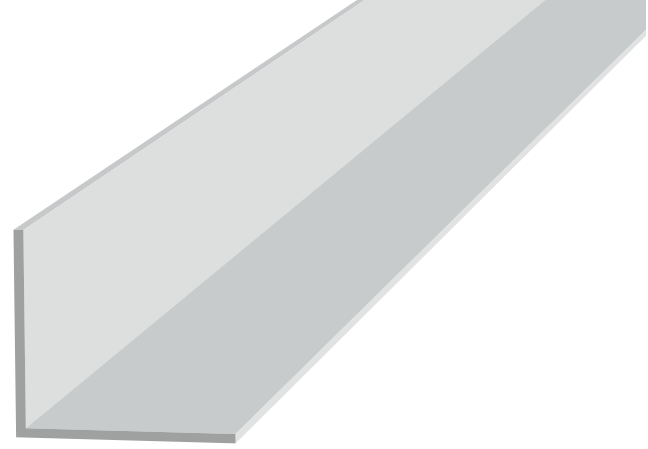
Universal L Mold

Simple angle trim that can be adaptively used for multiple applications such as transition bar from drywall to panel/tile, between panels or in corner conditions. Can be used horizontally, vertically or diagonally.

Available in 10' length. 6063 T5 aluminum with standard clear anodized or primed finish. Anodized color and powder coating finishes available with custom color matching.



ITEM ID	A
MLU-12	1/2"
MLU-34	3/4"
MLU-100	1"

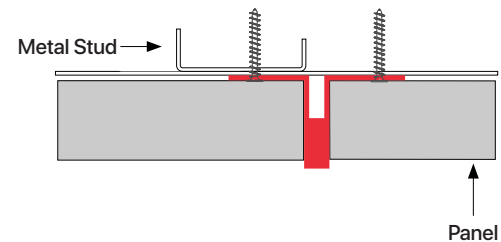
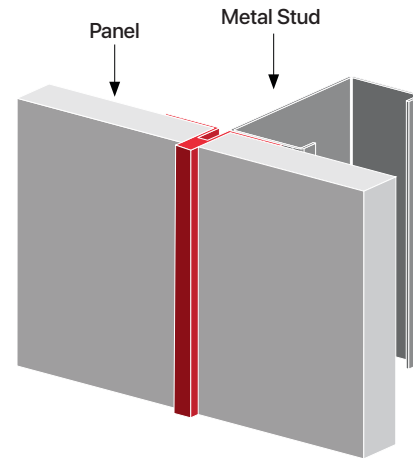
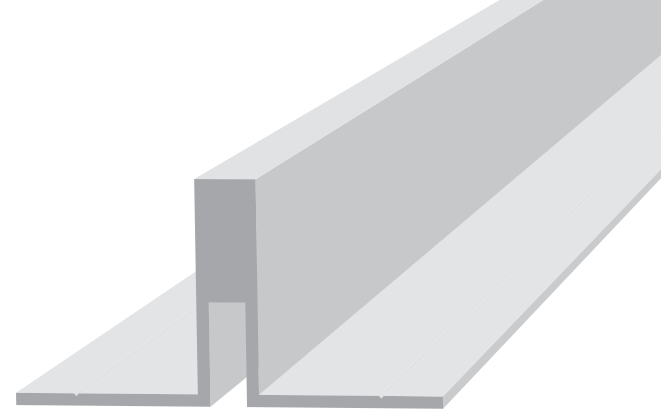
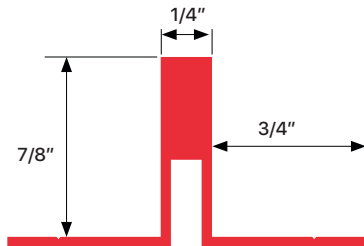


MPS

Projecting Square Mold

Simple and classic design that serves as a bold line transition between panels. A better, more appealing and secure solution to the "open wall" vertical joint look popular in many areas. Can be installed vertically, horizontally or diagonally. Used in conjunction with 5/8" drywall, panel installation and wrapped surface finishes such as fabric or vinyl wall coverings.

Available in 10' length. 6063 T5 aluminum with standard clear anodized or primed finish. Anodized color and powder coating finishes available with custom color matching.

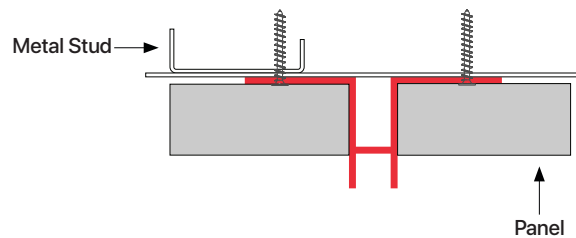
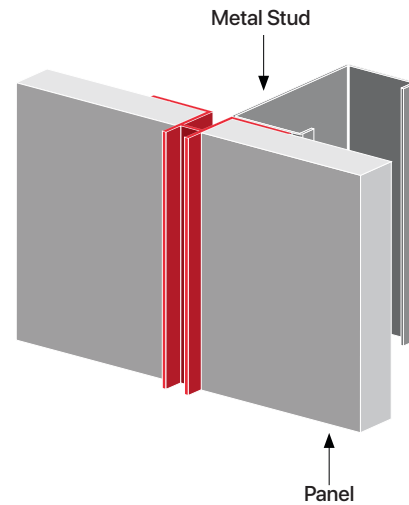
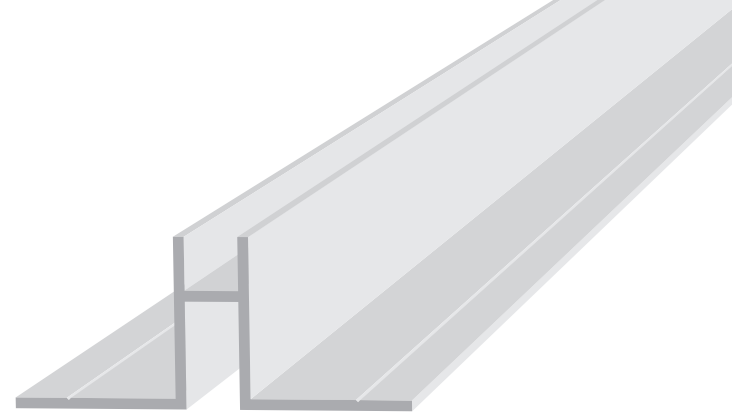
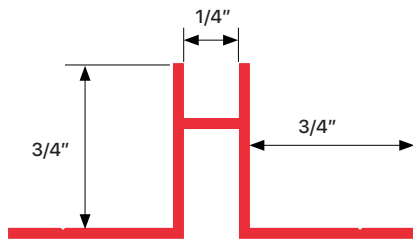


MRV

Reveal Mold

Classic and clean design provides smooth finish at edges of drywall or at material transitions. Can be installed horizontally or vertically. Can be used in conjunction with drywall, panel installation and wrapped surface finishes such as fabric or vinyl wall coverings.

Available in 10' length. 6063 T5 aluminum with standard clear anodized or primed finish. Anodized color and powder coating finishes available with custom color matching.

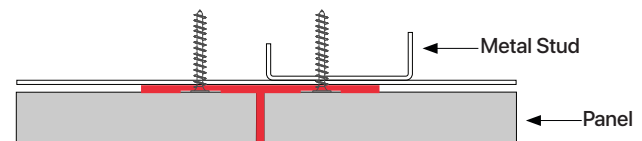
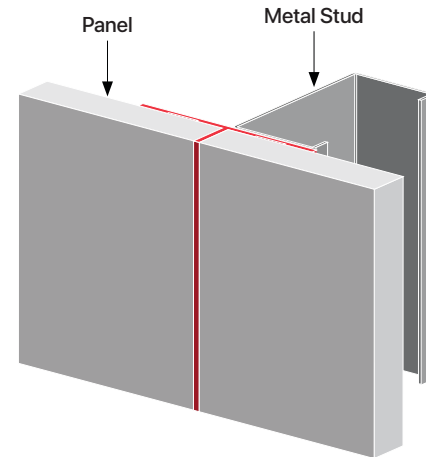
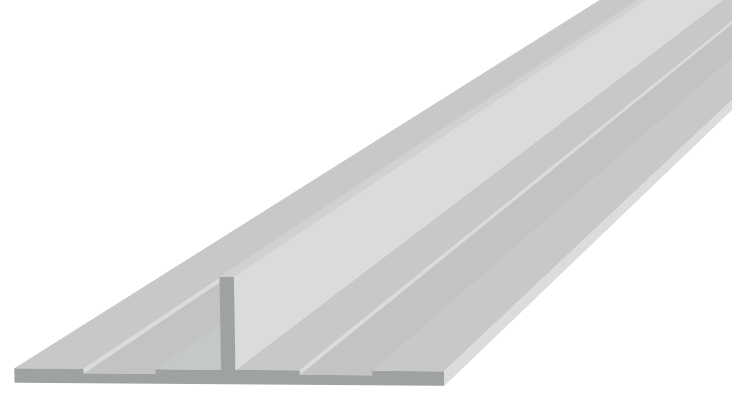
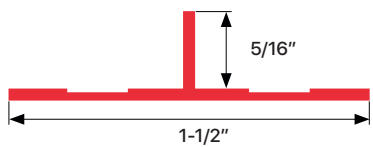


MTR

T Mold

T Mold serves as a minimalist joint between panels. Works with all 5/16" panel profiles/finishes.

Available in 10' length. 6063 T5 aluminum with standard clear anodized or primed finish. Anodized color and powder coating finishes available with custom color matching.

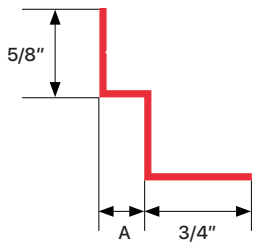


MWR

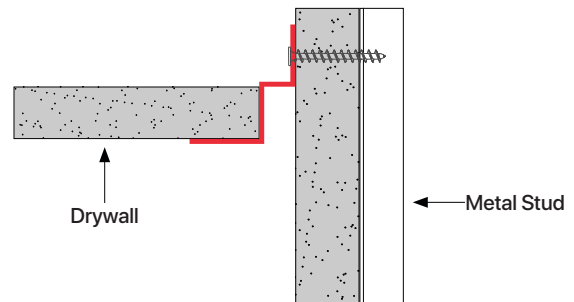
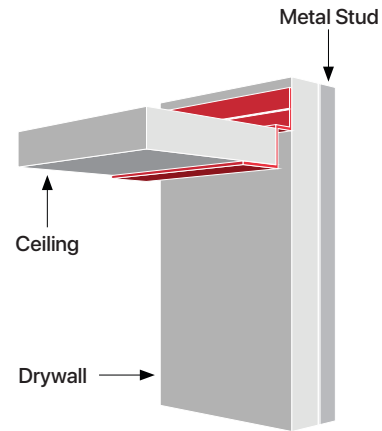
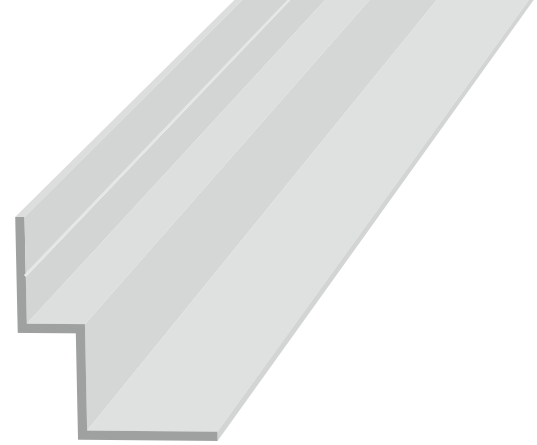
W Mold

Streamlined design with reveal detail for drywall terminations at ceilings and other material transitions. Can be used in conjunction with 5/8" drywall, panel installation and with wrapped surface finishes such as fabric or vinyl wall coverings.

Available in 10' length. 6063 T5 aluminum with standard clear anodized or primed finish. Anodized color and powder coating finishes available with custom color matching.



ITEM ID	A
MWR-516	5/16"
MWR-58	5/8"
MWR-150	1-1/2"



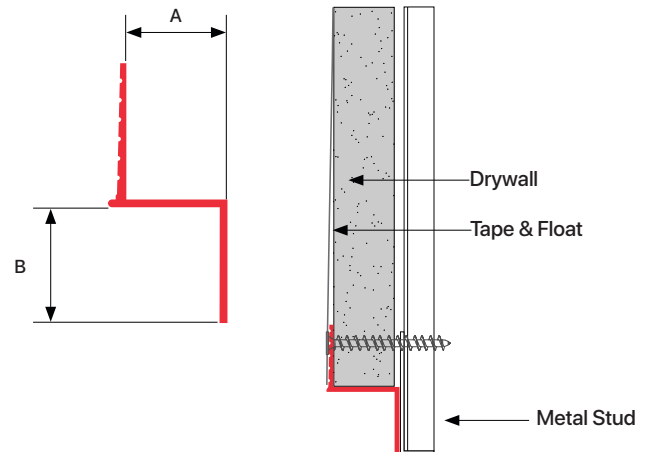
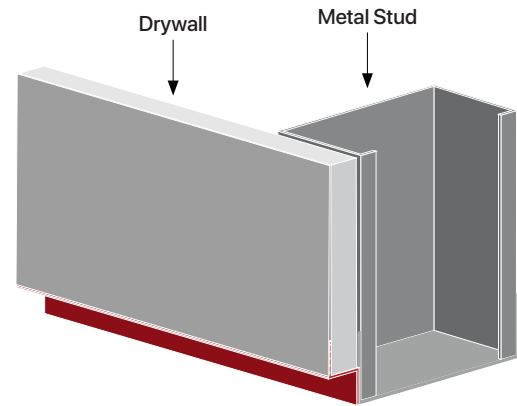
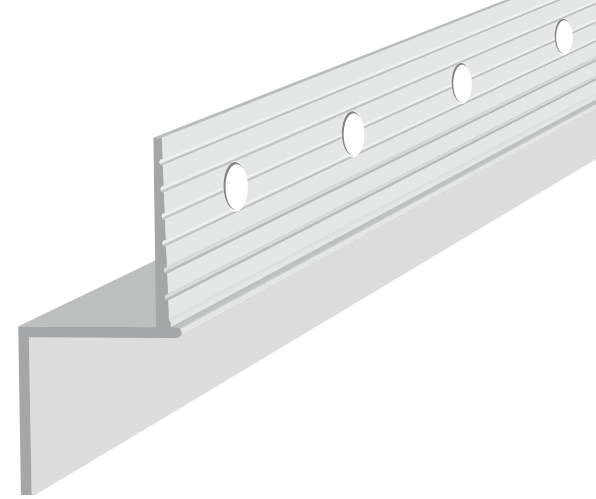
MZR

Z Mold

Versatile shadow line piece. Ideal for transitioning between drywall and other materials or drywall and floors. Ridged face provided for tape and float and pre-punched holes for easy install (hole placement may vary).

Available in 10' length. 6063 T5 aluminum with standard clear anodized or primed finish. Anodized color and powder coating finishes available with custom color matching.

ITEM ID	A	B
MZR14-14	1/4"	1/4"
MZR5-12	1/2"	1/2"
MZR5-100	1/2"	1"
MZR5-150	1/2"	1-1/2"
MZR5-200	1/2"	2"
MZR5-250	1/2"	2-1/2"
MZR5-300	1/2"	3"
MZR5-350	1/2"	3-1/2"
MZR5-400	1/2"	4"
MZR-14	5/8"	1/4"
MZR-516	5/8"	5/16"
MZR-12	5/8"	1/2"
MZR-58	5/8"	5/8"
MZR-100	5/8"	1"
MZR-150	5/8"	1-1/2"
MZR-200	5/8"	2"
MZR-250	5/8"	2-1/2"
MZR-300	5/8"	3"
MZR-350	5/8"	3-1/2"
MZR-400	5/8"	4"



Acoustical

Perimeter Trims for Acoustical Ceilings

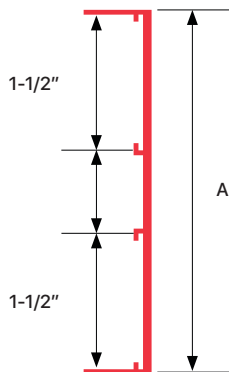


PACT

Classic Perimeter Trim

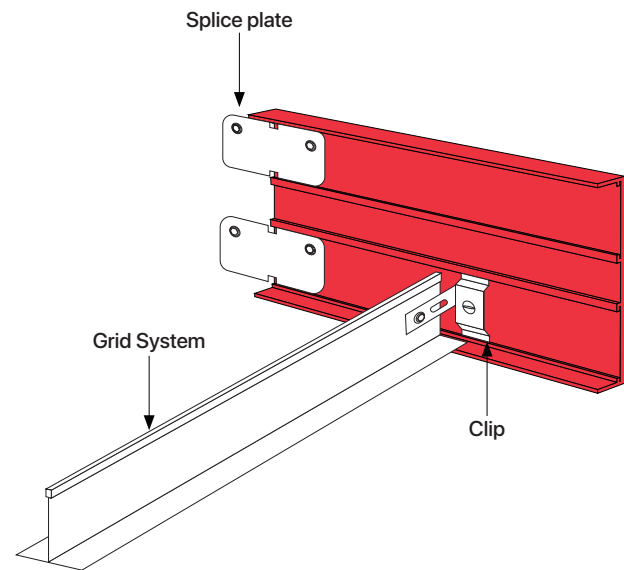
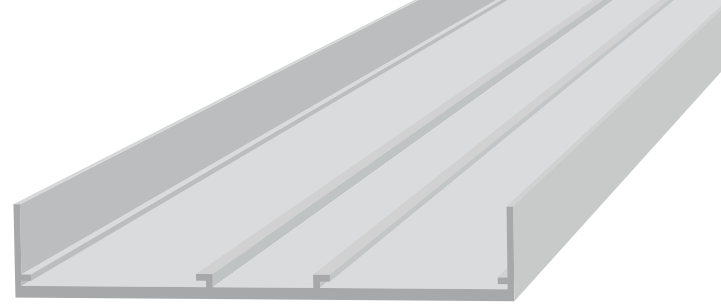
Ideal for suspended drywall or panel ceilings and available in six sizes. Standard in-stock finish is primed. Splice plates and clips included with trim purchase.

Available in 12' length. 6063 T5 aluminum. Anodized color and powder coating finishes available with custom color matching.



ITEM ID	A
PACT-2	2"
PACT-4	4"
PACT-6	6"
PACT-8	8"
PACT-10	10"
PACT-12	12"

XtremeInterior™ profiles are subject to alterations with or without notice.

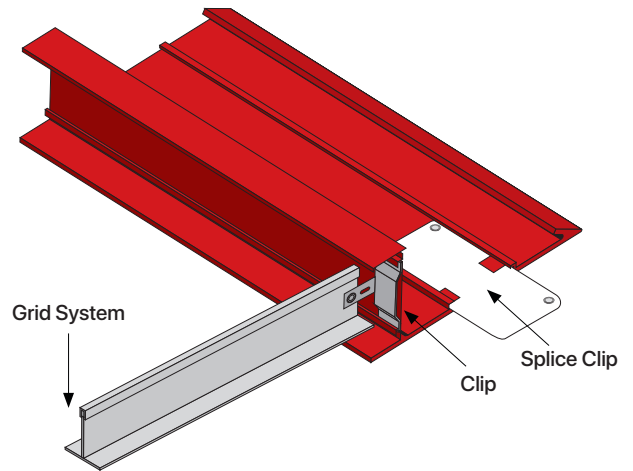
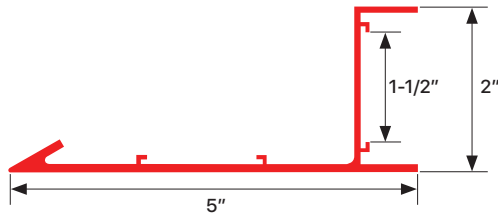


PACT-KE5

Knife Edge Perimeter Trim

Creates a sharp "knife edge" at suspended ceiling borders. Standard in-stock finish is primed. Can be powder coated or anodized upon request. Splice plates and clips included with trim purchase.

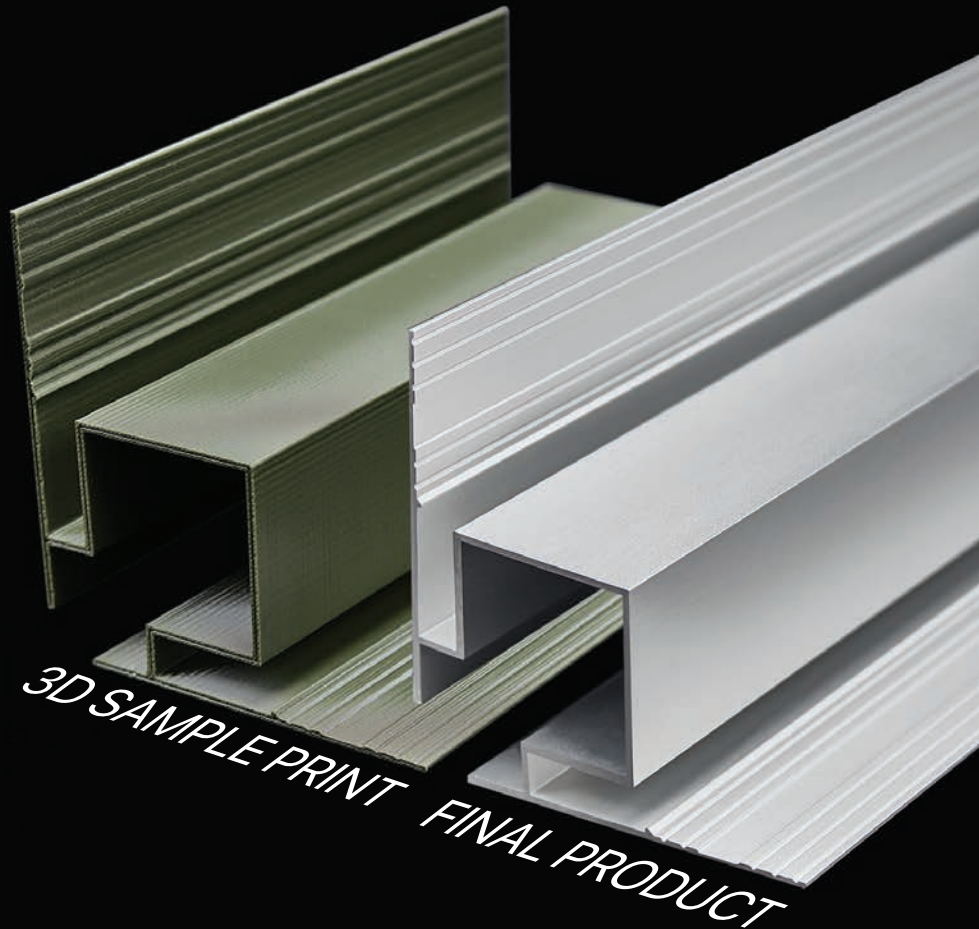
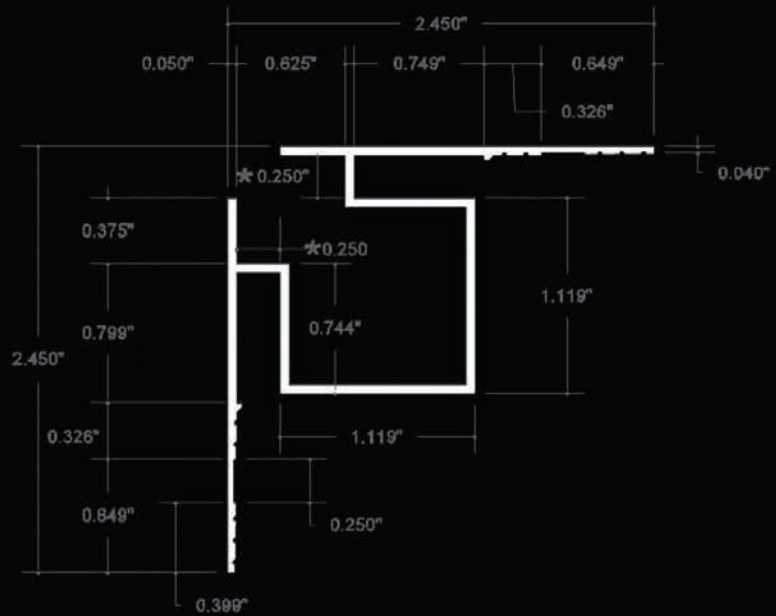
Available in 12' length. 6063 T5 aluminum with standard clear anodized or primed finish. Anodized color and powder coating finishes available with custom color matching.



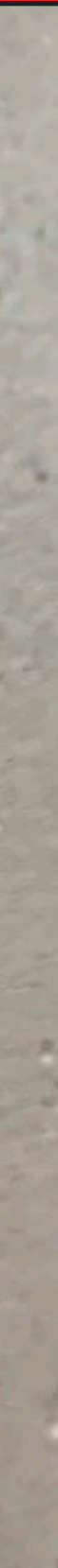
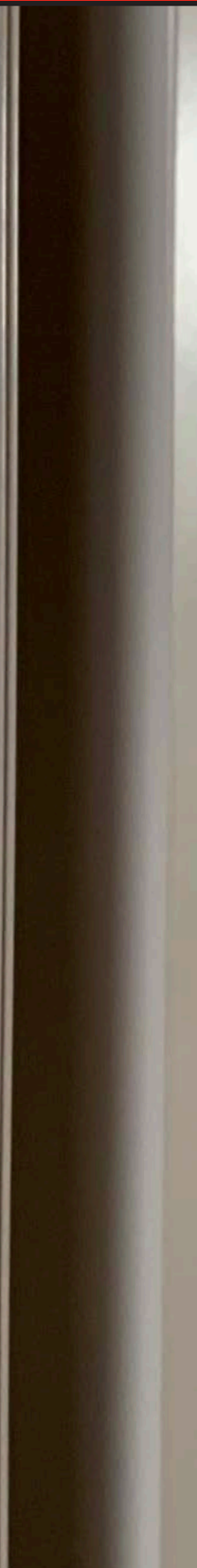
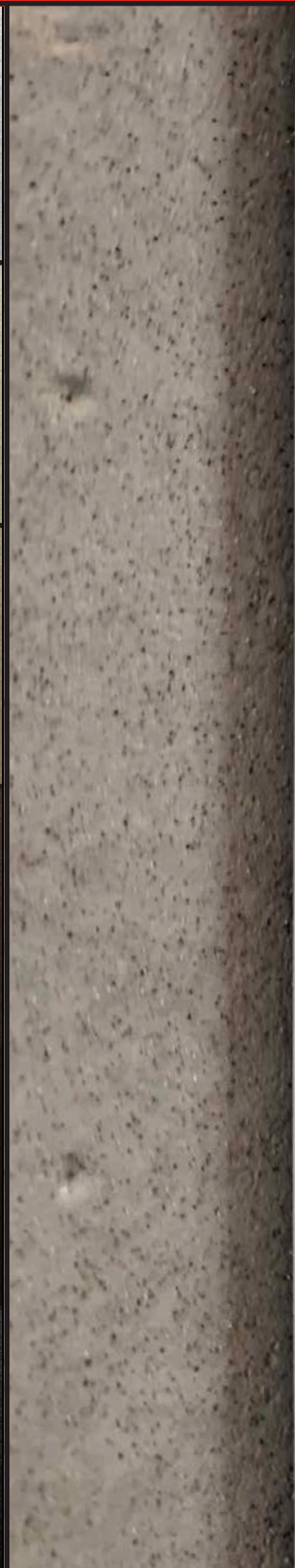
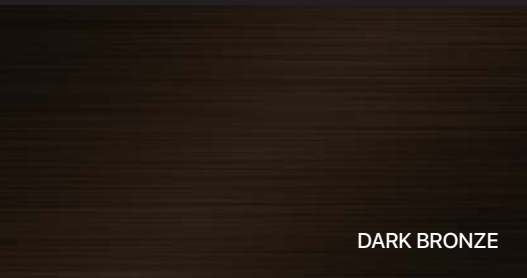


Custom Trim Work

Tamlyn provides custom architectural extrusion solutions to designers and architects throughout the world. Though our catalog offering is diverse we understand that sometimes the need for a small change to an existing profile or a from-scratch idea would make all the difference for a project. At Tamlyn we are proud to have in-house architects, engineers and technical support available to help! We can support high volumes, short-lead times and are not distressed by custom requests. See your ideas develop from a pencil sketch, to a CAD drawing, to 3D printed samples and finally to a beautiful and functional extruded aluminum profile!



ANODIZED FINISHES



Colors shown are illustrated as accurately as printing methods will permit. Please utilize actual product samples for true color comparison. With all color processes there is an allowable variance tolerance that applies to painting and use of dissimilar substrate materials to which paint is applied.

XtremeInterior™ extruded profiles are provided standard with a primed finish using a proprietary primer suitable for field painting using most paint materials. Ideal application is with a direct-to-metal alkyd enamel. Consult your local paint manufacturers for best practice and proper paint selection and application. Custom color powder coating available upon request (minimum applies).

All anodized finishes are provided within an industry range of color consistency and can vary slightly from item to item. Special order anodized colors are subject to specific quantity minimums by item. Anodizing is an electrochemical conversion process that deposits an oxide film on the aluminum profile. A natural oxidation process occurs on all bare aluminum, however, producing the oxidation process artificially through anodizing creates a thicker, harder, and more durable oxide film which is an extremely durable finish resistant to most forms of airborne corrosion.

*Metallic powdercoat available.



